

▼ MANCHESTER PU with reflective tape and cast bee, installed at Fallowfield, Manchester



POLYURETHANE

bollards



▲ TFL 900
with Yellow reflective tape bands
supplied to Old Kent Road, London



▲ LEWISHAM
shown in Lewisham, London

Polyurethane Elastomer (PU) is a thoroughly modern material offering low maintenance coupled with excellent resistance to the weather and many other types of abrasion.

The bollards are manufactured from a tough, durable engineering grade polyurethane cast around a steel core. A wide selection of colours are available. Standard paint finish is a two pack polyurethane gloss coating available in an extensive range of RAL or BS4800 colour references. Bollards may be highlighted in a contrasting colour and some have been designed for use with reflective tape.



▲ DORIC



▲ EGHAM



▲ CANNON



▲ CITY - Polyurethane Security
with integral cast & highlighted crest
shown here in Central Westminster, London

WIDE RANGE OF DESIGNS

Like other materials offered by Furnitubes, PU is very versatile, enabling a wide range of both traditional and modern designs.

Crests and logos can be cast into the material, giving customers the opportunity to create a unique look through use of standard products.

Many designs are available and Furnitubes are able to create new moulds for almost any size and shape. If you require further information about the other products in the range please contact a member of Furnitubes' dedicated Sales Team.

OPTIONS

Available on request

check technical details to see what applies to each bollard



Painting & highlighting



Crests & Logos

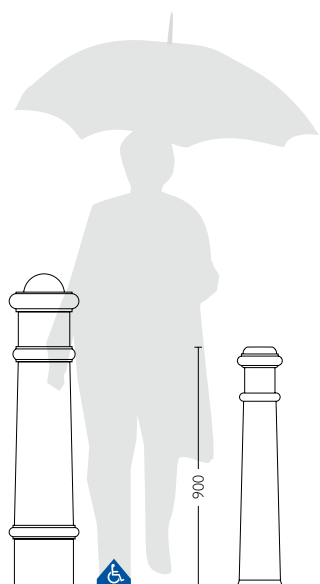


Reflective tape



Removable versions

BATTLE
BERESFORD
CANNON
CANTERBURY
CITY



TECHNICAL

Finish

Standard paint finish is a two pack polyurethane gloss coating available in an extensive range of RAL or BS4800 colour references.

Note 1

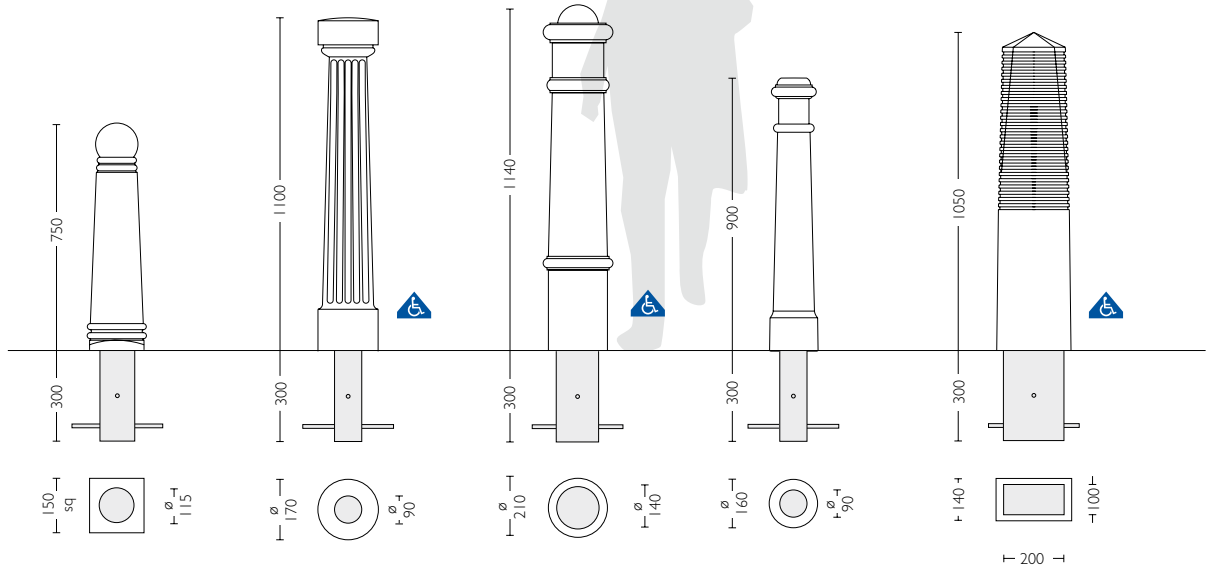
FI Socket

An FI Socket is available to accept PU bollards with a Ø115 diameter spigot. See page 60.

Note 2

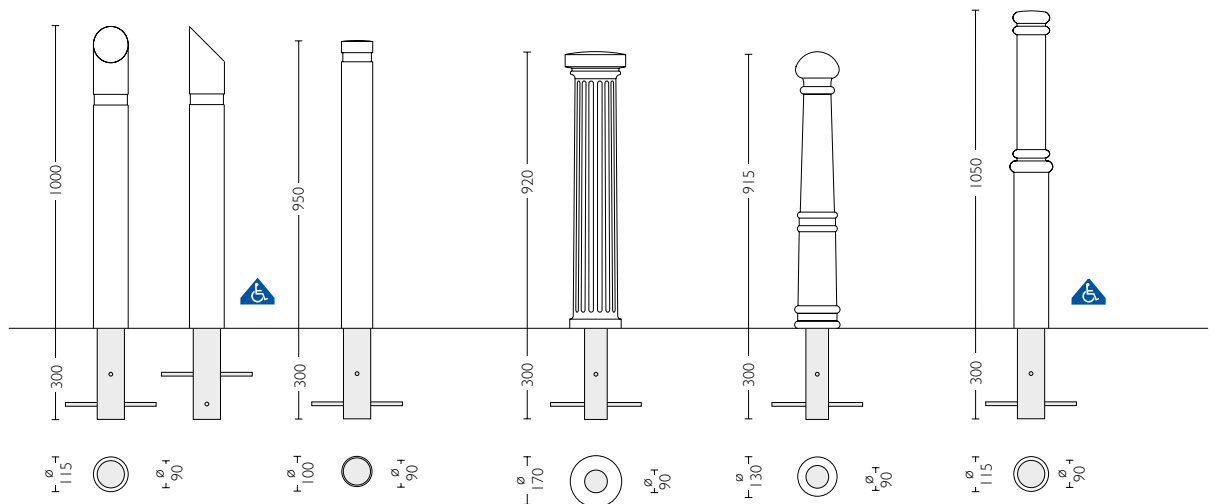
Disability Conscious

Bollards over 1000mm aid the visually impaired and can assist with the requirements of BS8300.



<p>BATTLE</p> <p>BA 0750 Polyurethane Elastomer Bollard</p> <p>See Note 1</p>	<p>BERESFORD</p> <p>BER 001 Polyurethane Elastomer Bollard</p> <p>See Note 2</p>	<p>CANNON</p> <p>CA 0500 Polyurethane Elastomer Bollard</p> <p>See Note 2</p>	<p>CANTERBURY</p> <p>CTB 001 Polyurethane Elastomer Bollard</p> <p>OPTIONS: Reflective Tape 750mm Height Available</p>	<p>CITY</p> <p>CIT 001 Polyurethane Elastomer Bollard</p> <p>OPTIONS: With Crest</p> <p>See Note 2</p>
---	--	---	--	--

CRAWLEY
CREWE
DORIC
EDINBURGH
EGHAM

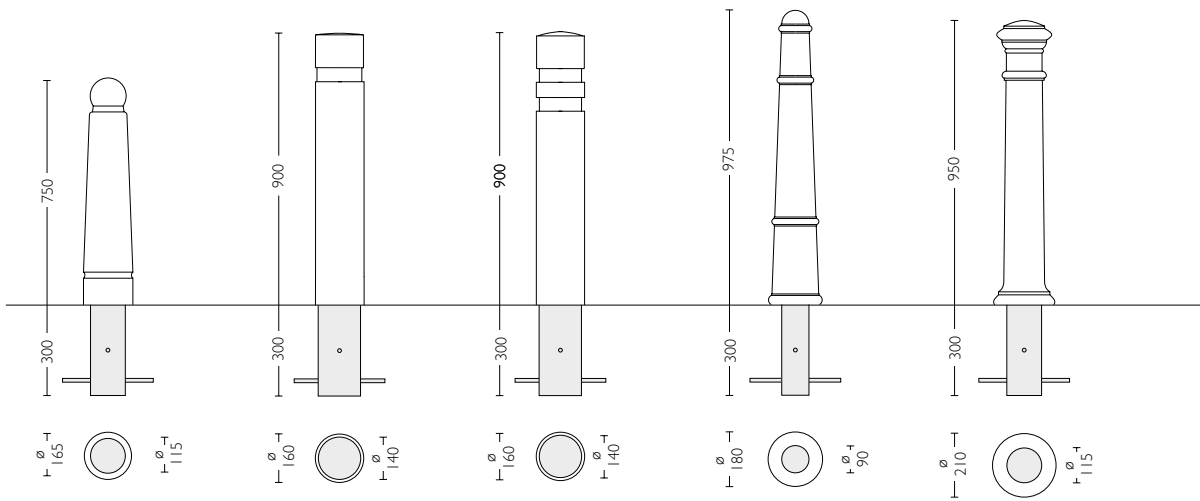


<p>CRAWLEY SLOPED</p> <p>CRW 115 Polyurethane Elastomer Bollard</p> <p>See Note 2</p>	<p>CREWE</p> <p>CRW 815 Polyurethane Elastomer Bollard</p>	<p>DORIC</p> <p>DO 0520 Polyurethane Elastomer Bollard</p> <p>OPTIONS: Reflective Tape</p>	<p>EDINBURGH</p> <p>ED 0526 Polyurethane Elastomer Bollard</p>	<p>EGHAM</p> <p>EGH 001 Polyurethane Elastomer Bollard</p> <p>See Note 2</p>
---	--	--	--	--

Product Codes are in **bold type**. Dimensions are in mm, are approximate and do not form any part of the contract.

We reserve the right to change the design and specification on any item offered and, where possible, notification will be made.

GUNNER
KENTON
LEWISHAM
MANCHESTER



<p>GUNNER</p> <p>GU 0503 Polyurethane Elastomer Bollard</p> <p>See Note 1</p>	<p>KENTON SINGLE NECK</p> <p>KEN 001 Polyurethane Elastomer Bollard</p>	<p>KENTON DOUBLE NECK</p> <p>KEN 002 Polyurethane Elastomer Bollard</p>	<p>LEWISHAM</p> <p>LEW 001 Polyurethane Elastomer Bollard</p>	<p>MANCHESTER</p> <p>MAN 001 Polyurethane Elastomer Bollard</p> <p>OPTIONS: Reflective Tape</p> <p>See Note 1</p>
---	---	---	---	--

TECHNICAL

Finish

Standard paint finish is a two pack polyurethane gloss coating available in an extensive range of RAL or BS4800 colour references.

Note 1

FI Socket

An FI Socket is available to accept PU bollards with a Ø115 diameter spigot. See page 60.

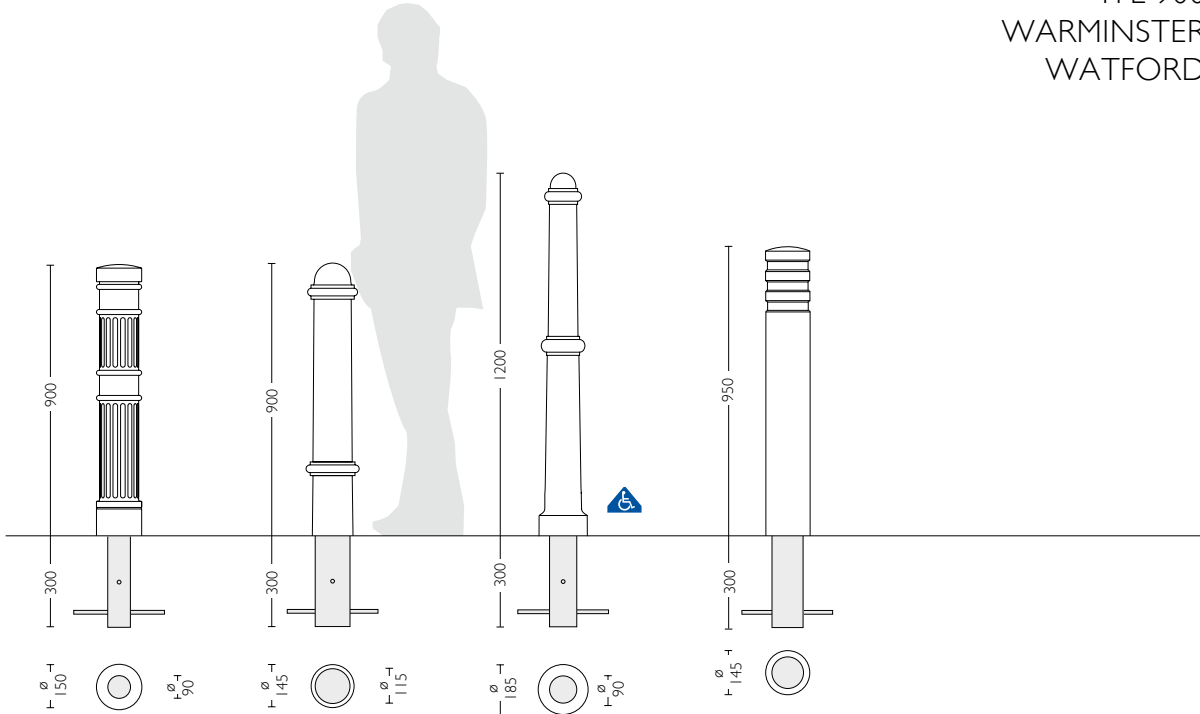
Note 2

Disability Conscious

Bollards over 1000mm aid the visually impaired and can assist with the requirements of BS8300.



TFL 900
WARMINSTER
WATFORD



<p>TFL 900</p> <p>TFL 900 Polyurethane Elastomer Bollard Supplied with 2 Bands of Yellow Reflective Tape</p>	<p>WARMINSTER MEDIUM</p> <p>WA 0811 Polyurethane Elastomer Bollard</p> <p>See Note 1</p>	<p>WARMINSTER LARGE</p> <p>WAR 002 Polyurethane Elastomer Bollard</p> <p>See Note 2</p>	<p>WATFORD</p> <p>WAT 145 Polyurethane Elastomer Bollard</p>
--	--	---	--

Product Codes are in **bold type**. Dimensions are in mm, are approximate and do not form any part of the contract.

We reserve the right to change the design and specification on any item offered and, where possible, notification will be made.

