



Zenith®

STAINLESS STEEL BOLLARDS

The Zenith® Bollard range features just some of Furnitubes stunning stainless steel bollards. The Zenith® Bollard is immensely popular with specifiers due to its clean and simple aesthetics. It is low maintenance, extremely hard-wearing and 100% recyclable.



ZEN 701
Zenith bollard

ZEN 721
Zenith banded

ZEN 451
Zenith sloped

ZEN 701 R
Zenith removable

This makes the Zenith suitable for all areas, including town centres, shopping malls, hospitals and hotels. The Zenith is available in either 115mm or 170mm diameter as standard. Furnitubes also offer Zenith Sloped Bollards with tops angled at 45°.

Grade 304 as standard, with grade 316 preferable for coastal areas where the bollard may be susceptible to water spray. Several options of the Zenith are available, including removable, baseplated, and the option of a satin or bright polished finish. Some of Furnitubes Zenith bollards are now available at 1000mm height, complying with DDA guidelines. Security versions are also available.

OPTIONS

Many stainless steel products can be etched in a variety of colours with:

- standard symbols
- client specific wording
- corporate logos
- simple crests



◀ **ZENITH 451**
black powder coated with FI removable socket, shown in Hereford

▼ **ZENITH 701**
black powder coated with white reflective tape



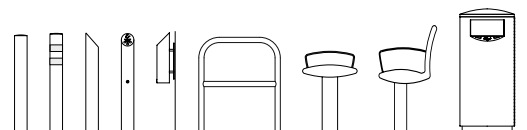
▲ **ZENITH 451**
satin polished finish shown here in Westwood Cross, Kent



▲ **ZENITH 702**
bright polished removable as supplied to Birmingham City University

Some Zenith Bollards can be powder coated, allowing the bollards to match the colour of other products within a scheme.

Zenith® RANGE



parking pg 89



seating pg 182



litter pg 228



ash waste pg 245



signage pg 276



ZENITH RANGE

TECHNICAL

Material

Furnitubes stainless steel bollards are 100% recyclable.

Disability Conscious

Bollards installed 1000mm above ground aid the visually impaired and can assist with the requirements of BS8300.

Note 1

Removable Bollards

Removable bollards are supplied with a socket & hinged cover plate. See page 59.

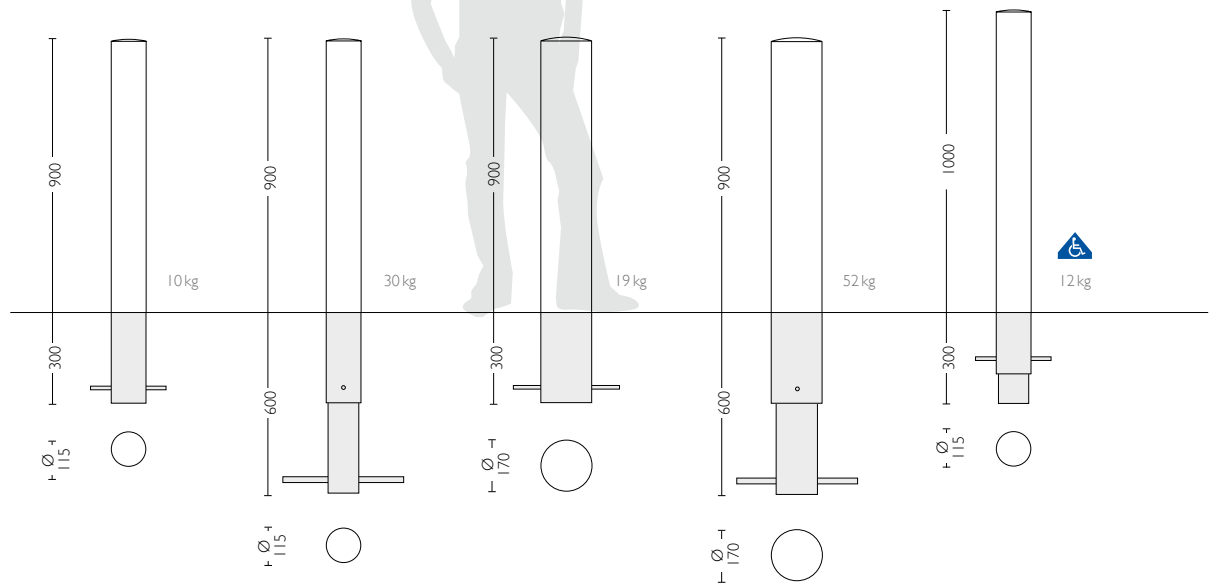
Note 2

F1 Socket

F1 Sockets are available as an alternative to our standard sockets to accept bollards of Ø115 diameter. They are a composite of cast iron and mild steel. All fixings are stainless steel. See page 60.

Product Codes are in **bold type**. Dimensions are in mm, are approximate and do not form any part of the contract.

We reserve the right to change the design and specification on any item offered and, where possible, notification will be made.



ZENITH

ZEN 701

Grade 304 Stainless Steel
Bright Polished Finish

OPTIONS:

Removable
Base Plated
Satin Polished
Grade 316 Stainless Steel

[See Notes 1 & 2](#)

ZEN 701 SC

Grade 304 Stainless Steel
Anti-Ram Raid Version
Reinforced with Steel Insert
Bright Polished Finish

OPTIONS:

Satin Polished
Grade 316 Stainless Steel

ZEN 702

Grade 304 Stainless Steel
Bright Polished Finish

OPTIONS:

Removable
Base Plated
Satin Polished
Grade 316 Stainless Steel

[See Note 1](#)

ZEN 702 SC

Grade 304 Stainless Steel
Anti-Ram Raid Version
Reinforced with Steel Insert
Bright Polished Finish

OPTIONS:

Satin Polished
Grade 316 Stainless Steel

ZEN 801 DDA

Grade 304 Stainless Steel
Bright Polished Finish

OPTIONS:

Removable
Base Plated
Satin Polished
Grade 316 Stainless Steel

[See Notes 1 & 2](#)

▼ ZENITH Sloped

installed at the junction - Tunnel Retail Park, Thurrock



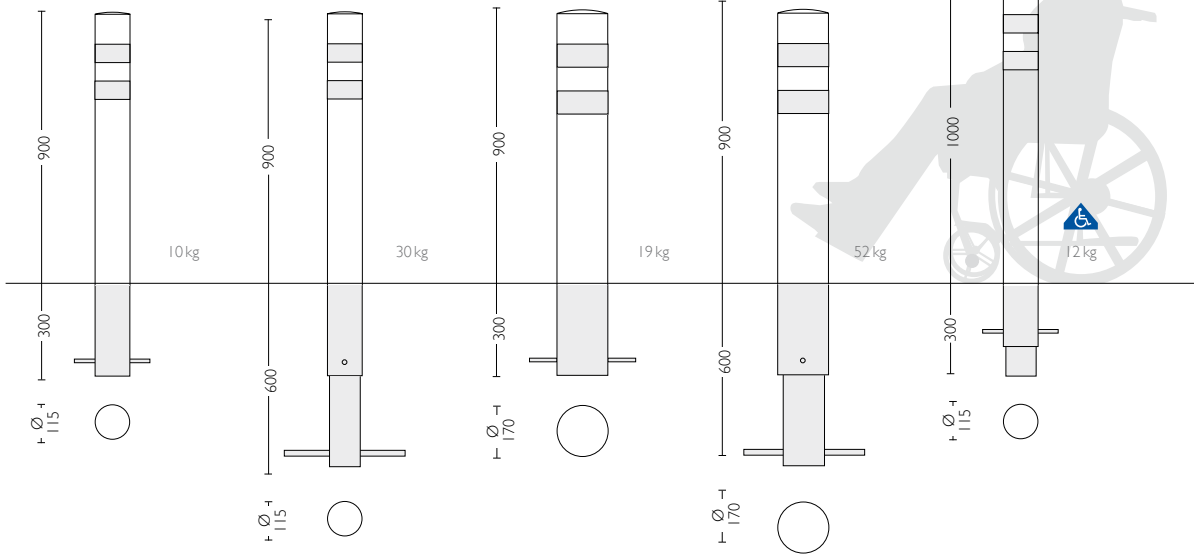
Details of reflective tape, eye-bolts, chain and other standard fittings can be found on page 78.

For security installation, see page 344.

For removable options, see pages 59-61.



ZENITH RANGE



TECHNICAL

Material

Furnitubes stainless steel bollards are 100% recyclable.

Disability Conscious

Bollards installed 1000mm above ground aid the visually impaired and can assist with the requirements of BS8300.

Note 1

Removable Bollards
Removable bollards are supplied with a socket & hinged cover plate. See page 59.

Note 2

FI Socket

FI Sockets are available as an alternative to our standard sockets to accept bollards of Ø115 diameter. They are a composite of cast iron and mild steel. All fixings are stainless steel. See page 60.

Product Codes are in **bold type**. Dimensions are in mm, are approximate and do not form any part of the contract.

We reserve the right to change the design and specification on any item offered and, where possible, notification will be made.

Stainless Steel Bollards

ZENITH BANDED

ZEN 721

Grade 304 Stainless Steel
Bright Polished with two
Satin Polished Bands

OPTIONS:
Satin Polished with two
Bright Polished Bands
Removable with FI Socket
Base Plated

See Notes 1 & 2

ZEN 721 SC

Grade 304 Stainless Steel
Bright Polished with two Satin
Polished Bands
Reinforced with Steel Core

OPTIONS:
Satin Polished with two Bright
Polished Bands

ZEN 722

Grade 304 Stainless Steel
Bright Polished with two
Satin Polished Bands

OPTIONS:
Satin Polished with two
Bright Polished Bands
Removable
Base Plated

See Note 1

ZEN 722 SC

Grade 304 Stainless Steel
Bright Polished with two
Satin Polished Bands
Reinforced with Steel Core

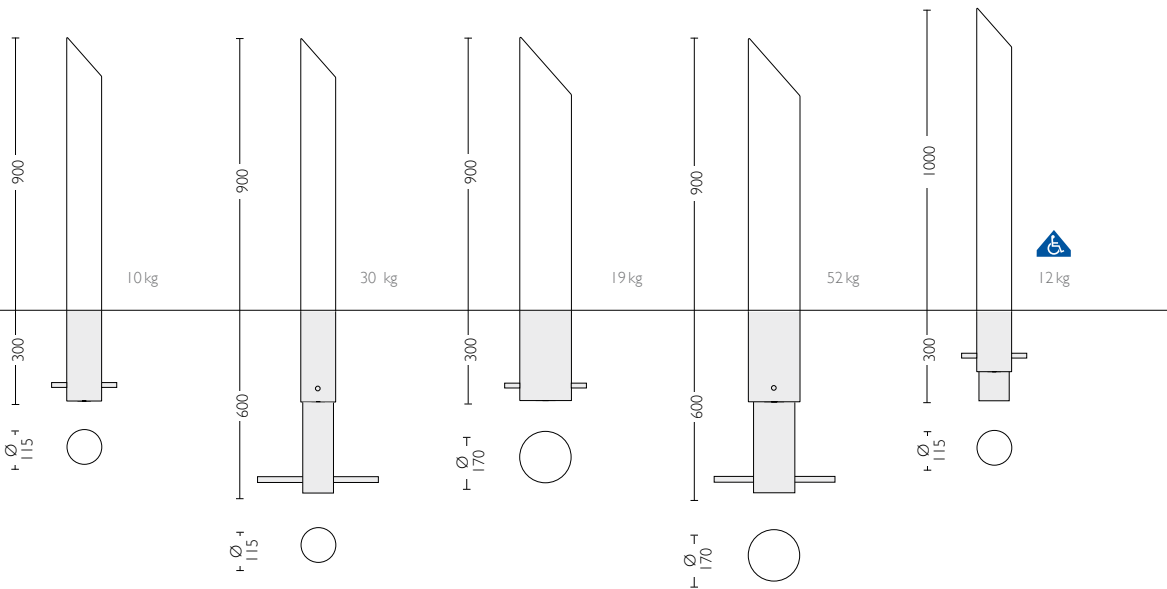
OPTIONS:
Satin Polished with two
Bright Polished Bands

ZEN 821 DDA

Grade 304 Stainless Steel
Bright Polished with two
Satin Polished Bands

OPTIONS:
Satin Polished with two
Bright Polished Bands
Removable with FI Socket
Base Plated

See Notes 1 & 2



ZENITH SLOPED

ZEN 451

Grade 304 Stainless Steel
Satin Polished Finish

OPTIONS:
Bright Polished Finish
Removable
Base Plated
Grade 316 Stainless Steel

See Notes 1 & 2

ZEN 451 SC

Grade 304 Stainless Steel
Satin Polished Finish
Reinforced with Steel Core

OPTIONS:
Bright Polished Finish
Grade 316 Stainless Steel

ZEN 452

Grade 304 Stainless Steel
Satin Polished Finish

OPTIONS:
Bright Polished Finish
Removable
Base Plated
Grade 316 Stainless Steel

See Note 1

ZEN 452 SC

Grade 304 Stainless Steel
Satin Polished Finish
Reinforced with Steel Core

OPTIONS:
Bright Polished Finish
Grade 316 Stainless Steel

ZEN 851 DDA

Grade 304 Stainless Steel
Satin Polished Finish

OPTIONS:
Bright Polished Finish
Removable
Base Plated
Grade 316 Stainless Steel

See Notes 1 & 2



Details of reflective tape, eye-bolts, chain and other standard fittings can be found on page 78.

For security installation, see page 344.

For removable options, see pages 59-61.



more...

STAINLESS STEEL

bollards



▲ **KENTON 711**
satin polished finish
with yellow tape
installed in Ealing



▲ **MILLENNIUM**
satin polished finish
as installed in Hornchurch,
Essex

In addition to the Zenith® Range, Funitubes offer an extensive range of hard-wearing stainless steel bollards.

DISTINCTIVE STYLE

Due to their excellent strength properties and distinctive clean-cut neck detail, **Kenton** bollards have become popular as traffic bollards. The **Millennium** bollard was adapted from a bespoke design made for the Millennium. It combines a modern rectangular profile with a simple, elegant rounded top.

The triangular form of the **Pinnacle** bollard serves as an enhancement to modern locations. The **Wharf** bollard was developed to combine the hard-wearing properties of stainless steel in a unique curved organic triangular form.



▲ **WHARF**
satin polished finish, as installed
in Boston, Massachusetts

▲ **PINNACLE**
satin polished finish
installed at Waterloo, London

Many of Funitubes stainless steel bollards, such as the **Alpine** and **Deco** are available with red reflective tape to aid visibility.

Funitubes are able to offer stainless steel versions of bollards traditionally made in steel, such as the **Holborn** bollard, shown below, embellished with polished bronze castings. The **Harbour** bollard shows how stainless steel and timber can be combined to interesting effect.



▲ **ALPINE**
new for 2009



▲ **DECO**
new for 2009



▲ **HOLBORN**
stainless steel & bronze
bright polished finish
designed for LB Hammersmith



▲ **HARBOUR**
satin polished finish, as supplied
to Innova Park, Enfield



▲ **ELTHAM**
new for 2009



ALPINE
DECO
ELTHAM
HARBOUR
OVAL

TECHNICAL



Material

Furnitubes stainless steel bollards are 100% recyclable.

Standard Options

Details of reflective tape, eye-bolts, chain and other standard fittings can be found on page 78.

Note 1

Removable Bollards

Removable bollards are supplied with a socket & hinged cover plate. The bollard has a fixed spigot that passes through the hinged cover plate allowing an FBI4 padlock to secure the bollard in the socket. Padlocks are not supplied. See photo on page 59.

Note 2

F1 Socket

F1 Sockets are available as an alternative to our standard sockets to accept bollards of Ø115 diameter. They are a composite of cast iron and mild steel. All fixings are stainless steel. See page 60.

Note 3

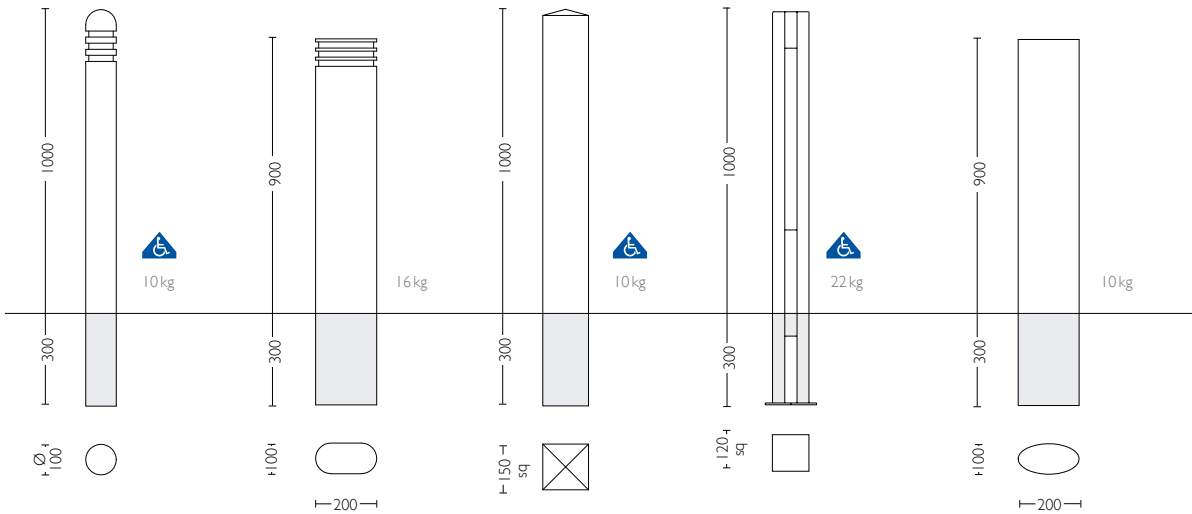
Disability Conscious

Bollards installed 1000mm above ground aid the visually impaired and can assist with the requirements of BS8300.



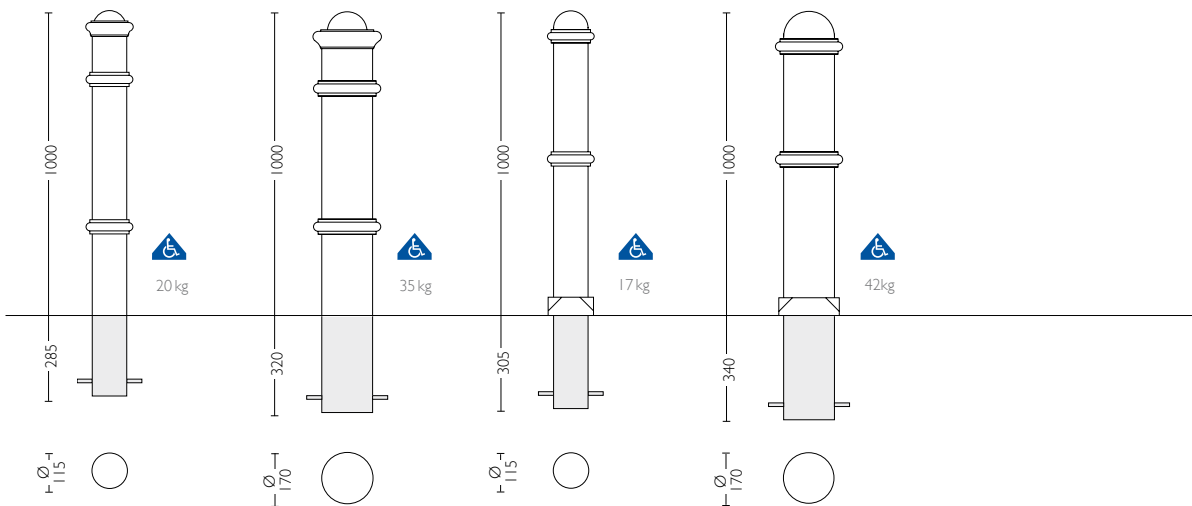
Product Codes are in **bold type**. Dimensions are in mm, are approximate and do not form any part of the contract.

We reserve the right to change the design and specification on any item offered and, where possible, notification will be made.



<p>ALPINE ALP 700 Grade 304 Stainless Steel Satin Polished Finish</p> <p>OPTIONS: Red Tape Removable Grade 316 Stainless Steel</p> <p>See Notes 1 & 3</p>	<p>DECO DEC 712 Grade 304 Stainless Steel Satin Polished Finish</p> <p>OPTIONS: Red Tape Grade 316 Stainless Steel</p>	<p>ELTHAM ELT 715 Grade 304 Stainless Steel Satin Polished Finish</p> <p>OPTIONS: Removable Grade 316 Stainless Steel</p> <p>See Notes 1 & 3</p>	<p>HARBOUR HBR 440 Grade 304 Stainless Steel Satin Polished Finish Hardwood Timber Inserts</p> <p>OPTIONS: Bright Polished Finish Base Plated Grade 316 Stainless Steel</p> <p>See Note 3</p>	<p>OVAL OVA 712 Grade 304 Stainless Steel Satin Polished Finish</p> <p>OPTIONS: Grade 316 Stainless Steel</p>
--	---	---	--	--

HOLBORN
SALISBURY



<p>HOLBORN MK.2 HOL 510 Stainless Steel Body and Root with Bronze Caps and Rings Bright Polished Finish</p> <p>OPTIONS: Removable Cast Iron Caps, Painted Finish</p> <p>See Notes 1, 2 & 3</p>	<p>HOLBORN MAJOR MK.2 HOL 520 Stainless Steel Body and Root with Bronze Caps and Rings Bright Polished Finish</p> <p>OPTIONS: Removable Cast Iron Caps, Painted Finish</p> <p>See Notes 1 & 3</p>	<p>SALISBURY MK.2 SAL 530 Stainless Steel Body and Root with Bronze Caps and Rings Bright Polished Finish</p> <p>OPTIONS: Removable Cast Iron Caps, Painted Finish</p> <p>See Notes 1, 2 & 3</p>	<p>SALISBURY MAJOR MK.2 SAL 540 Stainless Steel Body and Root with Bronze Caps and Rings Bright Polished Finish</p> <p>OPTIONS: Removable Cast Iron Caps, Painted Finish</p> <p>See Notes 1 & 3</p>
---	--	---	--



KENTON
MILLENNIUM
PINNACLE
WHARF



Details of reflective tape, eye-bolts, chain and other standard fittings can be found on page 78.

For security installation, see page 344.

For removable options, see pages 59-61.



▲ KENTON
satin polished finish with red reflective tape
installed in Tanner Street, London

TECHNICAL



Material
Furnitubes stainless steel bollards are 100% recyclable.

Note 1

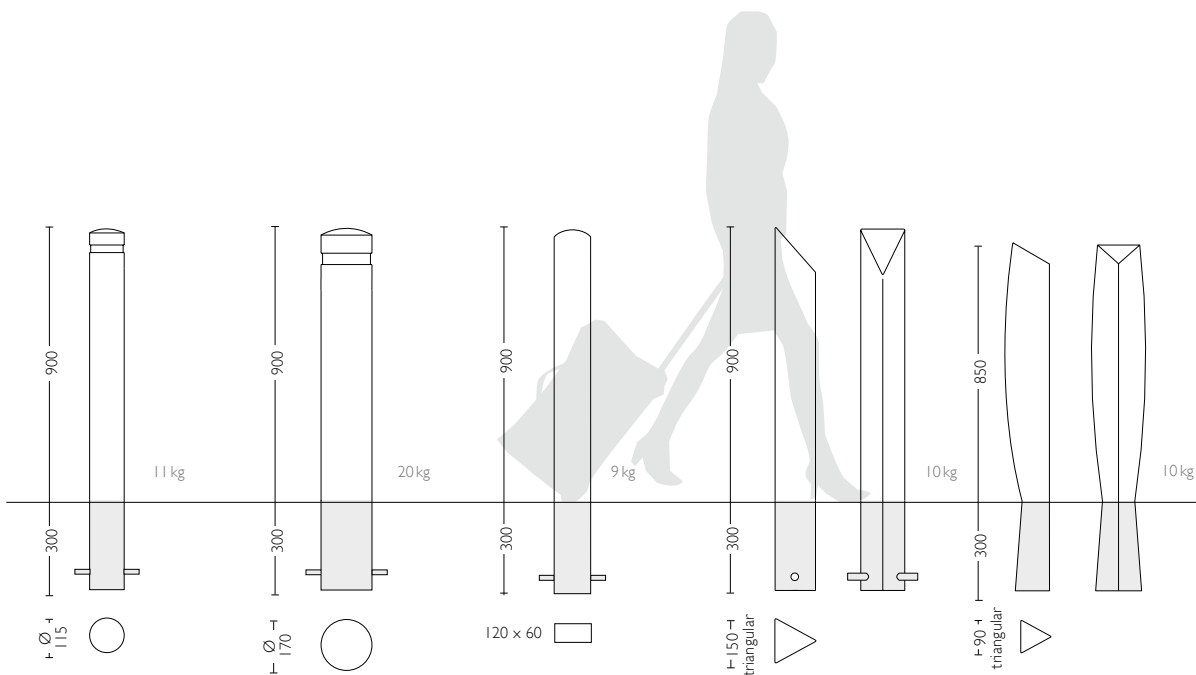
Removable Bollards
Removable bollards are supplied with a socket & hinged cover plate. See details on page 59.

Note 2

F1 Socket
F1 Sockets are available as an alternative to our standard sockets to accept bollards of Ø115 diameter. They are a composite of cast iron and mild steel. All fixings are stainless steel. See page 60.

Product Codes are in **bold type**. Dimensions are in mm, are approximate and do not form any part of the contract.

We reserve the right to change the design and specification on any item offered and, where possible, notification will be made.



KENTON

KEN 711
Grade 304 Stainless Steel
Satin Polished Finish

OPTIONS:
Bright Polished Finish
Removable
Base Plated
Grade 316 Stainless Steel

See Notes 1 & 2

KEN 712

Grade 304 Stainless Steel
Satin Polished Finish

OPTIONS:
Bright Polished Finish
Removable
Base Plated
Grade 316 Stainless Steel

See Note 1

MILLENNIUM

MIL 701
Grade 304 Stainless Steel
Satin Polished Finish

OPTIONS:
Bright Polished Finish
Removable
Base Plated
Grade 316 Stainless Steel

See Note 1

PINNACLE

PIN 452
Grade 304 Stainless Steel
Satin Polished Finish

OPTIONS:
Bright Polished Finish
Removable
Base Plated
Grade 316 Stainless Steel

See Note 1

WHARF

WHA 452
Grade 304 Stainless Steel
Satin Polished Finish

OPTIONS:
Bright Polished Finish
Removable
Base Plated
Grade 316 Stainless Steel

See Note 1