

TELESCOPIC *security posts*

For those that need security bollards that can be lowered into the ground when not in use, Furnitubes range of Telescopic Bollards combine strength with aesthetic appeal to provide this dual function.

Telescopic Bollards meet the requirements of a wide variety of security needs, from preventing access to driveways to stopping ram raid attacks.

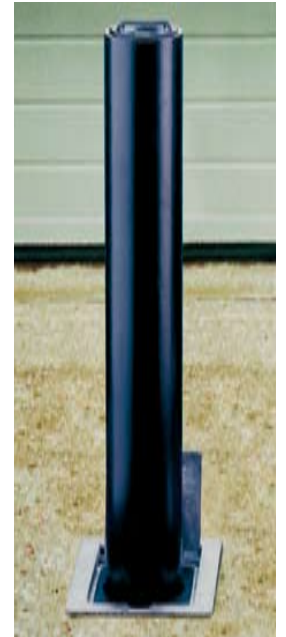
The bollards are designed for ease of use, taking just seconds to raise each one and lock into place using its integral high security lock. When not in use the post is completely concealed, sliding discretely into the ground where it is covered by a steel flap.



▲ TPR 600
Round Telescopic Bollard
Black Powder Coated Finish
shown at Westwood Cross, Kent



▲ TPS 700
Square Telescopic Bollard
in raised position



▲ TPR 800
Round Telescopic Bollard
in raised and lowered positions

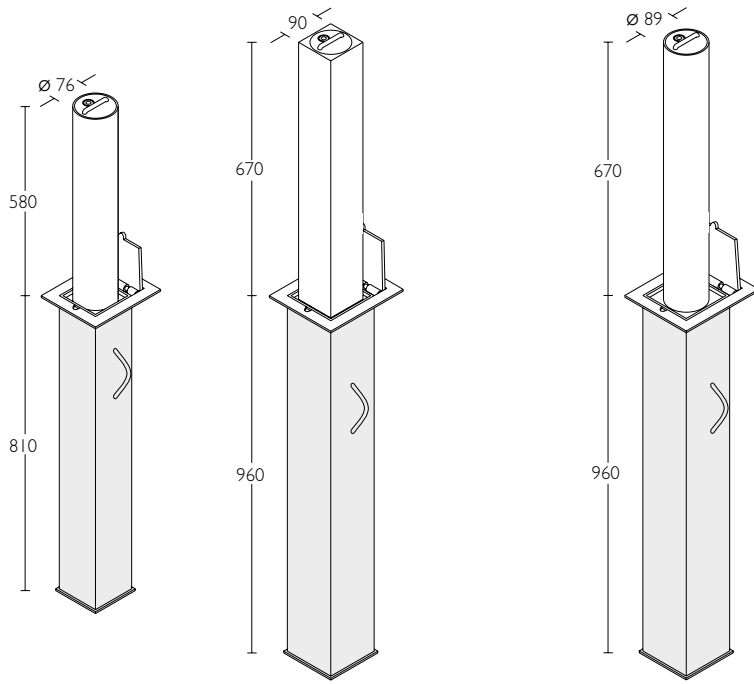


▲ TPR 300
Round Stainless Steel Telescopic Bollard
in raised position and top detail

The majority of the range is available in a galvanised or polyester powder coated finish.

A stainless steel version is now also available, to compliment Furnitubes existing range of stainless steel bollards and other street furniture.

TELESCOPIC SECURITY POSTS



For a more traditional look a Victorian style ornamental top is available for some of the bollards. The top locks into place when the bollard is in the raised position and is removed when it is lowered.



TECHNICAL

Keys

Each post is supplied with one key. Please specify whether all posts are required keyed alike or to have individually numbered locks. Additional keys can be supplied as optional extras.

Installation

For the best protection of a building, bollards should be installed no less than 1.3m from the fascia to be protected. A distance from centre to centre of bollards of 1.25m is recommended, and should not exceed 1.4m.

Lifting weights

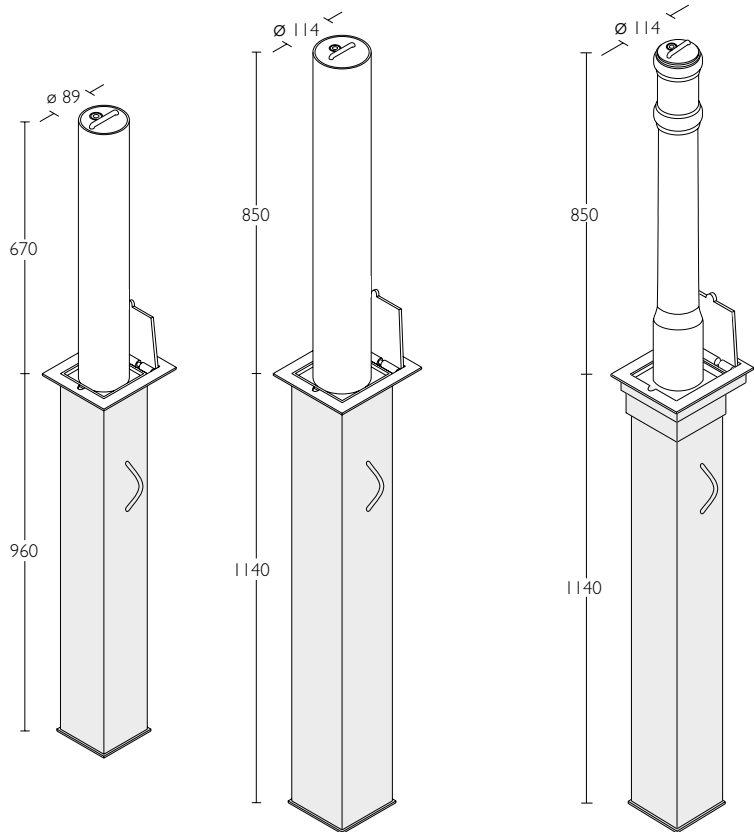
The lifting weights for the telescopic bollards are as follows:

- TPR 576** - 8 kg
- TPS 700** - 12 kg
- TPS 800** - 14 kg
- TPR 700** - 12 kg
- TPR 800** - 14 kg
- TPR 390** - 14 kg
- TPR 600** - 17 kg
- TPR 300** - 22 kg
- TPB 725** - 22 kg

Foundation

To ensure sufficient drainage, a combination of concrete and loose chippings will be required. See page 346 for more information.

| DRIVEWAY TELESCOPIC | SQUARE TELESCOPIC | ANTI RAM RAID TELESCOPIC | ROUND TELESCOPIC | ANTI RAM RAID TELESCOPIC | ORNAMENTAL LOCKING TOP |
|---|--|---|--|--|--|
| TPR 576 Steel, Galvanised and Polyester Powder Coated Black or Yellow | TPS 700 Steel, Galvanised Finish | TPS 800 Anti Ram Raid version Steel, Galvanised Finish | TPR 700 Steel, Galvanised Finish | TPR 800 Anti Ram Raid version Steel, Galvanised Finish | CT 001 Victorian-style Cast Alum Cap Polyester Powder Coated Black with Rings Highlighted in Gold |
| OPTIONS: Other BS or RAL colours available | OPTIONS: Polyester Powder Coated | OPTIONS: Anti-Cut 100mm square Polyester Powder Coated | OPTIONS: Polyester Powder Coated Ornamental locking top | OPTIONS: Polyester Powder Coated Ornamental locking top | For use with the Polyester Powder Coated versions of the TPR 700 & TPR 800 ONLY |



▲ **TPB 725**
Bury PU Telescopic Bollard

Furnitubes now offer a tough new Polyurethane Elastomer (PU) Anti-Ram Raid telescopic bollard. The durable PU is cast around a reinforced steel core that offers low maintenance coupled with excellent resistance to the weather and many other types of abrasion.

| STAINLESS STEEL TELESCOPIC | LARGE ROUND TELESCOPIC | ANTI RAM RAID TELESCOPIC | BURY - PU TELESCOPIC | OPTIONS: |
|--|---|--|---|---------------|
| TPR 390 Anti Ram Raid bollard Stainless Steel, Satin Finish | TPR 600 Steel, Galvanised Finish | TPR 300 Stainless Steel, Satin Finish | TPB 725 Telescopic Anti Ram Raid bollard Polyurethane Elastomer formed around a Steel Inner Core Two-Pack Polyurethane Gloss Finish Steel Telescopic Socket Galvanised Finish | Fixed Bollard |
| | OPTIONS: Polyester Powder Coated Finish | | | |

Product Codes are in **bold type**. Dimensions are in mm, are approximate and do not form any part of the contract.

We reserve the right to change the design and specification on any item offered and, where possible, notification will be made.

