

# BOMB BLAST CONTAINMENT

## *litter bin*



▲ BBC LITTER BIN EXPLOSION

Litter bins can easily be used to conceal a bomb or explosive device, posing a serious threat to buildings and to the safety of staff and the public.

Even worse, the bin becomes part of the attack and maximises the intensity of the bomb by spraying shrapnel and fragments over great distances.

A terrorist attack utilising standard litter bins and remotely activated or time delayed explosive devices can be easily coordinated to strike multiple places simultaneously or in stages without exposing the terrorist to harm, who will most likely be located at a safe location.



▲ BBC LITTER BIN  
the bin remains intact, instead of becoming a vehicle for the bomb

To combat this imminent threat, Furnitubes are now pleased to offer a litter bin that contains the fragmentation from a bomb after detonation. Ideal for high profile locations such as airports, amusement parks, government buildings, shopping centres, military bases, stadiums, stations, and universities.

LITTER & WASTE

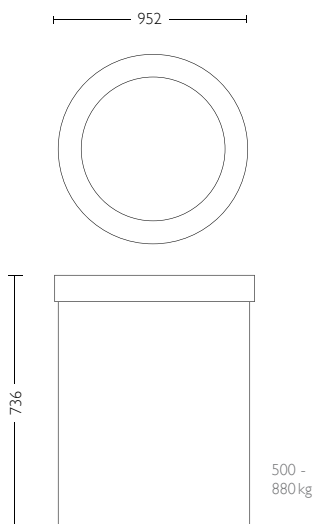
### TECHNICAL

#### Colours

Bins are offered in black and stainless steel as standard. Other colours are available on request.

#### Options

Additional designs, sizes and finishes will be discussed on a case by case basis.



Product Codes are in **bold type**. Dimensions are in mm, are approximate and do not form any part of the contract.

We reserve the right to change the design and specification on any item offered and, where possible, notification will be made.

**BBC LITTER BIN**  
**BBC 950**  
Bomb Blast Containment Bin  
Capacity of 115 or 150 Litres Available

This proactive anti-terrorism technology is available with a variety of finishes and explosives protective ratings.

For security reasons, explosives protective ratings and deployment locations are not publicised. Please contact sales for more information.



▲ BBC LITTER BIN  
stainless steel



▲ BBC LITTER BIN  
black