

# PLASTIC

## *litter bins*

### TECHNICAL

#### Colour Range



Please note the above colours are to be used only as a guide. For quantity orders litter bins can be manufactured to specific colour requirements.

#### Note 1

##### Litter Bins with Posts

Litter bins & posts are supplied independently for banding together on installation. Banding straps are not supplied. Jubilee-style clips are supplied as an alternative. The standard post is 2000mm high and is supplied in a grey plastic coated finish.

#### Note 2

##### Litter Bins without Posts

Litter bins can be either banded onto existing posts or wall mounted, via a universal fixing bracket incorporated into the bin. Banding straps are not supplied. Jubilee-style clips are supplied as an alternative.

#### Note 3



**Cigarette Stubber**  
Circular brass or aluminium stub plate can be fitted onto top of litter bin.

#### Ash Tray

Please ask regarding availability, suitability or for further details.

Product Codes are in **bold type**. Dimensions are in mm, are approximate and do not form any part of the contract.

We reserve the right to change the design and specification on any item offered and, where possible, notification will be made.

Furnitubes comprehensive selection of polyethylene litter bins are supplied in a variety of styles and colours.

Durable, functional, and attractive, the litter bins range from modern, stylish designs through to plastic replicas of cast iron originals.

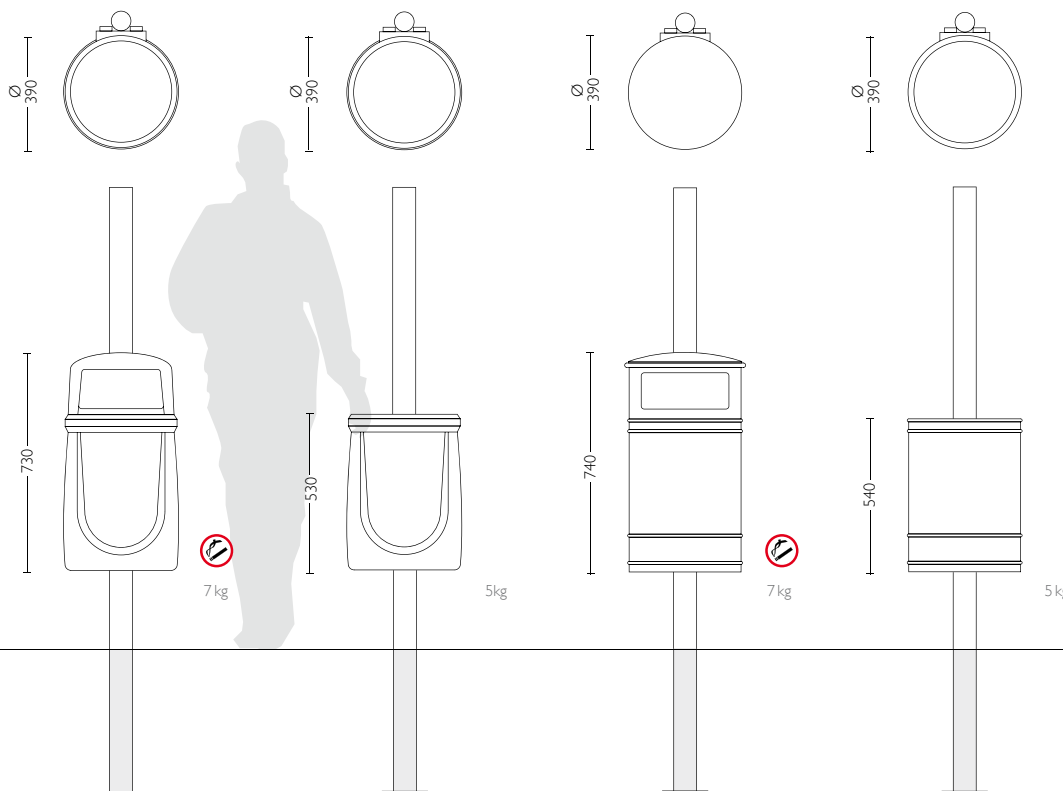
The range is available as bolt down or post mounted versions to suit most applications.

The stylish, contoured lines of the **Aldgate**, **Barbican** and **Moorgate** lend themselves readily for use in modern shopping precincts and areas of recent development while the more classic profiles of the **Fenchurch**, **Paddington** and **Euston** are happily sited in areas of traditional aspect.



▲ **EUSTON** with lid installed in Barn Elms Park, Wandsworth, London

▲ **ALGATE** with lid as supplied to Town Hall, Ferryhill, Co Durham



#### ALD GATE WITH LID

##### **ALD 930**

Post Mounted Polyethylene Litter Bin  
Galvanised Steel Liner 40 Litre Capacity

#### OPTIONS:

Without Post for Wall Fixing or  
Fitting to Existing Post  
Stubber

See Notes 1, 2 & 3

#### ALD GATE

##### **ALD 940**

Post Mounted Polyethylene Litter Bin  
Galvanised Steel Liner 40 Litre Capacity

#### OPTIONS:

Without Post for Wall Fixing or  
Fitting to Existing Post

See Notes 1 & 2

#### EUSTON WITH LID

##### **EUS 830**

Post Mounted Polyethylene Litter Bin  
Galvanised Steel Liner 40 Litre Capacity

#### OPTIONS:

Without Post for Wall Fixing or  
Fitting to Existing Post  
Gold Banding  
Gold 'Tidyman' logo  
Stubber

See Notes 1, 2 & 3

#### EUSTON

##### **EUS 840**

Post Mounted Polyethylene Litter Bin  
Galvanised Steel Liner 40 Litre Capacity

#### OPTIONS:

Without Post for Wall Fixing or  
Fitting to Existing Post

See Notes 1 & 2



# PLASTIC

## *litter bins*



▲ **FENCHURCH**  
as supplied to The Arc, Weston Drive,  
Caterham, Surrey

Plastic litter bins may be personalised by integrally moulded graphics, applying vinyls with logos or crests, or screen printing directly onto the bins. Ash waste facility is also available on bins with lids.



▲ **PADDINGTON**  
as supplied to Worthington Park,  
Trafford, Manchester

### TECHNICAL

#### Colour Range



Please note the above colours are to be used only as a guide. For quantity orders litter bins can be manufactured to specific colour requirements.

#### Note 1

#### Litter Bins for Ballasting

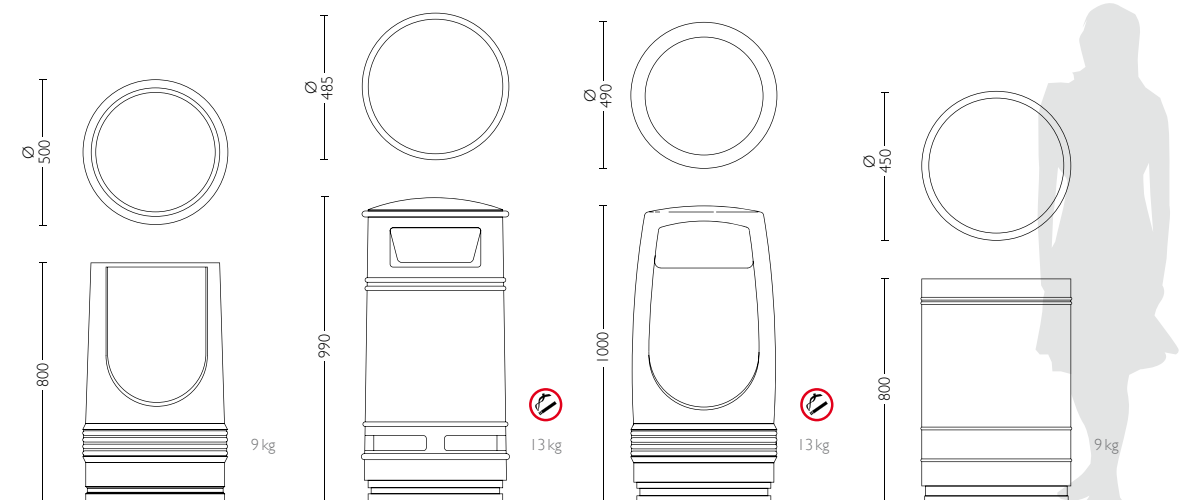
Ballast is not provided. Bricks or concrete or similar solid ballast is recommended. Sand or gravel is not suitable.

#### Note 2

 **Cigarette Stubber**  
Circular brass or aluminium stub plate can be fitted onto top of litter bin.

#### Ash Tray

Please ask regarding availability, suitability or for further details.



#### BARBICAN

##### BAR 920

Bolt Down Polyethylene Litter Bin  
Galvanised Steel Liner 90 Litre Capacity

#### OPTIONS:

Litter Bin for Ballasting -  
Liner Capacity 83 Litres

See Note 1

#### FENCHURCH

##### FEN 810

Bolt Down Polyethylene Litter Bin  
Galvanised Steel Liner 90 Litre Capacity

#### OPTIONS:

Litter Bin for Ballasting -  
Liner Capacity 83 Litres  
Stubber

See Notes 1 & 2

#### MOORGATE

##### MOO 910

Bolt Down Polyethylene Litter Bin  
Galvanised Steel Liner 90 Litre Capacity

#### OPTIONS:

Litter Bin for Ballasting -  
Liner Capacity 83 Litres  
Stubber

See Notes 1 & 2

#### PADDINGTON

##### PAD 820

Bolt Down Polyethylene Litter Bin  
Galvanised Steel Liner 90 Litre Capacity

#### OPTIONS:

Litter Bin for Ballasting -  
Liner Capacity 83 Litres

See Note 1

Product Codes are in **bold type**. Dimensions are in mm, are approximate and do not form any part of the contract.

We reserve the right to change the design and specification on any item offered and, where possible, notification will be made.



# DOG WASTE

## bins

Dog waste is one of the main complaints of those who use both public footpaths and recreational areas such as parks and children's playgrounds. Dog waste is not only an ugly menace but a serious health hazard and it is sensible to promote, wherever possible, the use of dog bins.



▲ BOXER

The **Boxer** and **Pedigree** are robust, appealing and practical cast iron dog waste bins designed to complement heritage areas. These bins have a generous capacity. The Pedigree bin also has a hook onto which the dog's lead may be hung while the bin is being opened and closed.

The **Terrier** polyethylene dog bin has been manufactured for ease of use by the public and cleansing authority. The dual position lid remains upright for cleaning purposes but is self-closing during normal use. A deodorising block is secured within the lid to neutralise smells.



▲ TERRIER (and Eric)  
shown at Blackheath, London

### TECHNICAL

#### Note 1

#### Boxer Finish

The Boxer is available in most BS 4800 & RAL series gloss colours. The DOG WASTE ONLY words, raised borders and the logo may be highlighted if required.

#### Note 2

#### Dog Waste Sacks

Standard household size refuse sacks can be used with the Pedigree. Sacks are not supplied.

#### Note 3

#### Pedigree Finish

The Pedigree is available in most BS 4800 & RAL series gloss colours. The arrow symbols, DOG WASTE ONLY words, the lid & raised borders around the logo & the panels on the door may be highlighted if required.

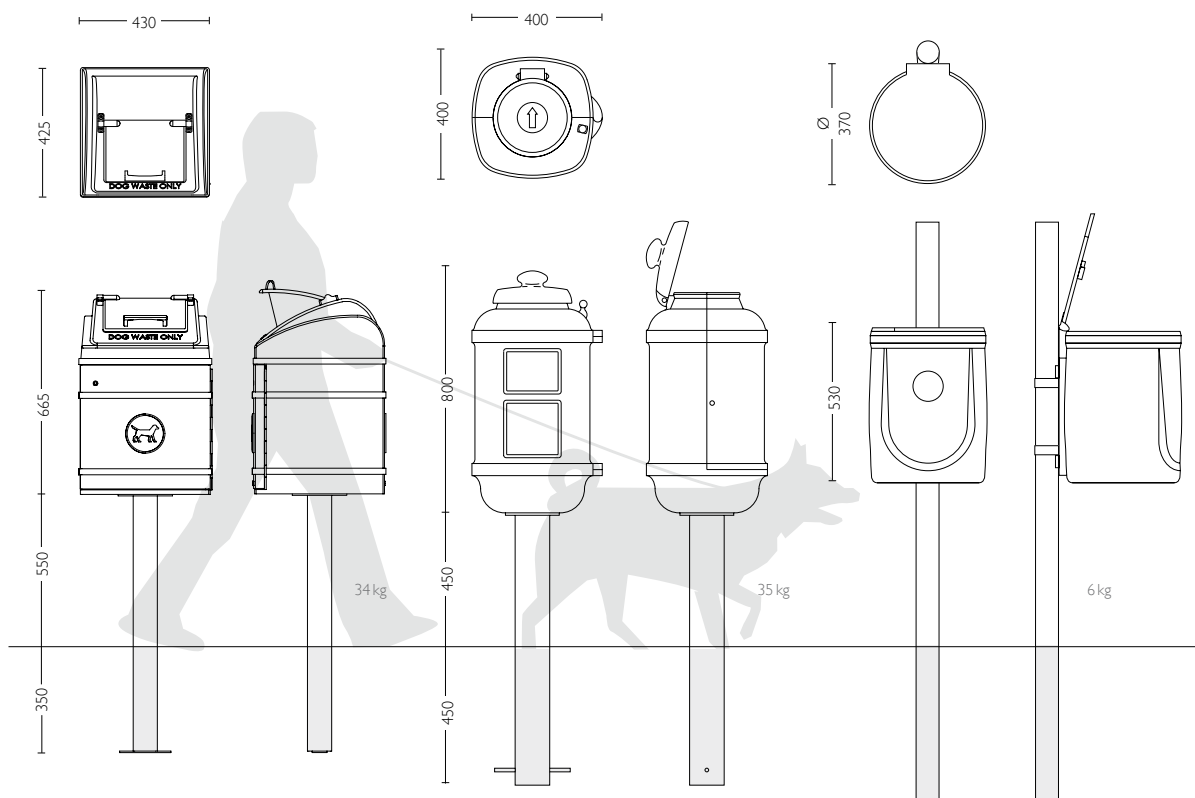
#### Note 4

#### Terrier with Post

Bins & posts are supplied separately for banding together on installation. Straps are not supplied. Jubilee-style clips are supplied as an alternative. The standard post is 2000mm high and in a grey plastic coated finish.

#### Terrier without Post

These bins may be either banded onto existing posts or wall mounted via a universal fixing bracket incorporated into the bin. Banding is not supplied.



#### BOXER

##### BXR 745

Post Mounted Cast Iron Dog Waste Bin  
Painted Red or Green  
Capacity 55 Litres

#### OPTIONS:

Other BS/RAL Colours Available  
Highlighting in Contrasting Colour

See Notes 1 & 2

#### PEDIGREE

##### PED 701

Post Mounted Cast Iron Dog Waste Bin  
Painted Red or Green with Hook  
Capacity 60 Litres

#### OPTIONS:

Other BS/RAL Colours Available  
Highlighted in Contrasting Colour

See Notes 2 & 3

#### TERRIER

##### TER 801 P

Post Mounted Polyethylene Dog Waste Bin  
Capacity 35 Litres

#### OPTIONS:

Wall Mounted (without post)  
Replacement Dog Waste Sacks, 100 per Pack  
Replacement Dog Waste Deodorisers, 72 per Pack

See Note 4

Product Codes are in **bold type**. Dimensions are in mm, are approximate and do not form any part of the contract.

We reserve the right to change the design and specification on any item offered and, where possible, notification will be made.

