



TIMBER

litter bins

Timber slatted bins are an economical choice due to their simple construction. Widely specified for use in schools, parks, playgrounds, etc, the pleasing design means that the litter baskets complement both rural and urban environments.



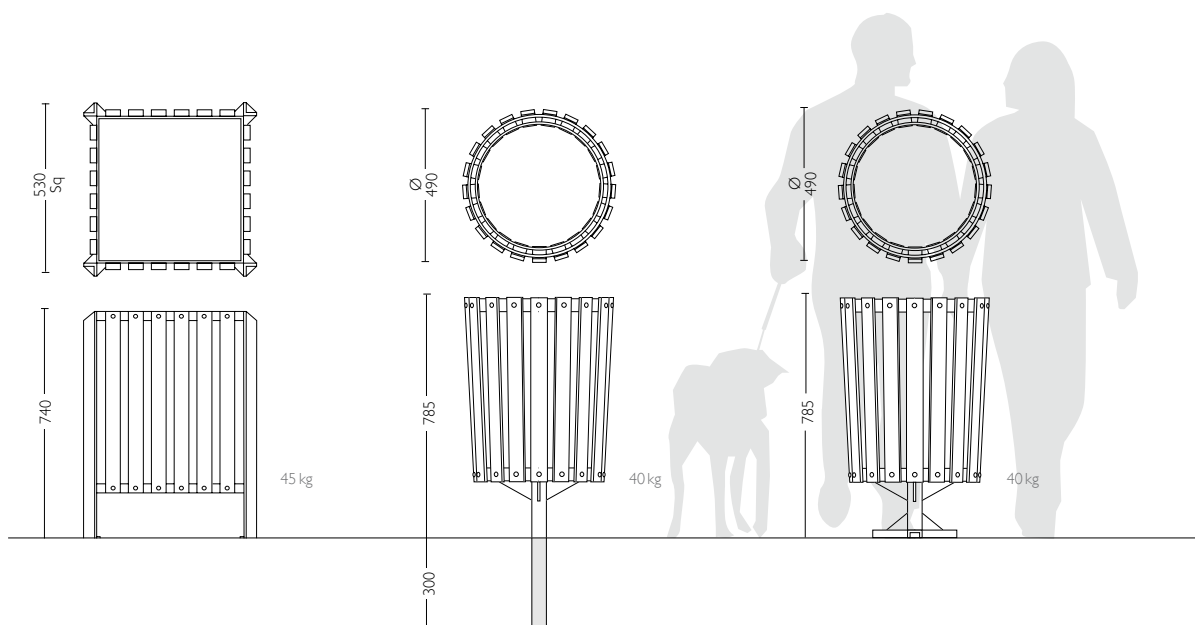
▲ **BALMORAL**
supplied to Uppingham School, Leicestershire

Furnitubes uses only the highest quality timber in the construction of the range and each bin is supplied with a galvanised sheet metal liner. For a small charge, a security chain can be attached to the liner to prevent theft and vandalism; the chain loops inside the basket and is concealed by the timber slats.



▲ **BOSTON TIMBER**
root mounted
as supplied to Sacred Heart RC School, Ruislip

◀ **BOSTON TIMBER**
bolt down
installed in Canfield Gardens, Camden



BALMORAL

BSL 230

Free Standing Timber Slatted Litter Bin
Iroko Slats, 'Jotun Trebitt Teak' Finish
Galvanised Steel Frame, Black Plastic Coated Finish
Galvanised Steel Liner
Liner Capacity 130 Litres

OPTIONS:

Padlock Facility

See Notes 1 & 2

BOSTON

BOS 490 T

Root Mounted Timber Slatted Litter Bin
Iroko Slats, 'Jotun Trebitt Teak' Finish
Galvanised Steel Frame, Black Plastic Coated Finish
Galvanised Steel Liner
Liner Capacity 79 Litres

OPTIONS:

Padlock Facility

See Note 2

BOS 490 TB

Bolt-Down Timber Slatted Litter Bin
Iroko Slats, 'Jotun Trebitt Teak' Finish
Galvanised Steel Frame, Black Plastic Coated Finish
Galvanised Steel Liner
Liner Capacity 79 Litres

OPTIONS:

Padlock Facility

See Note 2

TECHNICAL

Note 1

Free Standing Litter Bins

The bases/legs of free standing litter bins are pre-drilled to allow for fixing to the ground.

Note 2

Padlock Facility

For added security the side of the bin and the liner can be modified to accept a padlock. Padlock not supplied.

Product Codes are in **bold type**. Dimensions are in mm, are approximate and do not form any part of the contract.

We reserve the right to change the design and specification on any item offered and, where possible, notification will be made.



TIMBER

litter bins



▲ **JUBILEE TIMBER**
as supplied to Concept Park,
Towcester, Northampton

Unlike many timber slatted litter bins, Furnitubes new **Portman** bin has a side-opening door for easy access and to allow the liner to be emptied without excessive lifting.

Both the Portman and Jubilee Litter bins are available in different finishes, see technical for details.



▲ **PORTMAN TIMBER**
powder coated frame
shown open

◀ **PORTMAN TIMBER**
galvanised steel frame



◀ **PORTMAN TIMBER**
galvanised steel frame
push lock detail



▲ **TENBY**
as supplied to Cranfield Gardens,
Hampstead, London

TECHNICAL

Note 1

Security Chains

Most open top litter bins can be fitted with a galvanised Security Chain between the bin & liner.

Note 2

Free Standing Litter Bins

The bases/legs of free standing litter bins are pre-drilled to allow for fixing to the ground.

Note 3

Finishes

The Jubilee and Portman litter bins are available in the following finishes:

- Powder Coat
- Enhanced Powder Coat
- Plastic Coat

A wide range of BS/RAL colours are available. For further information on paint finishes refer to pgs 337-339.

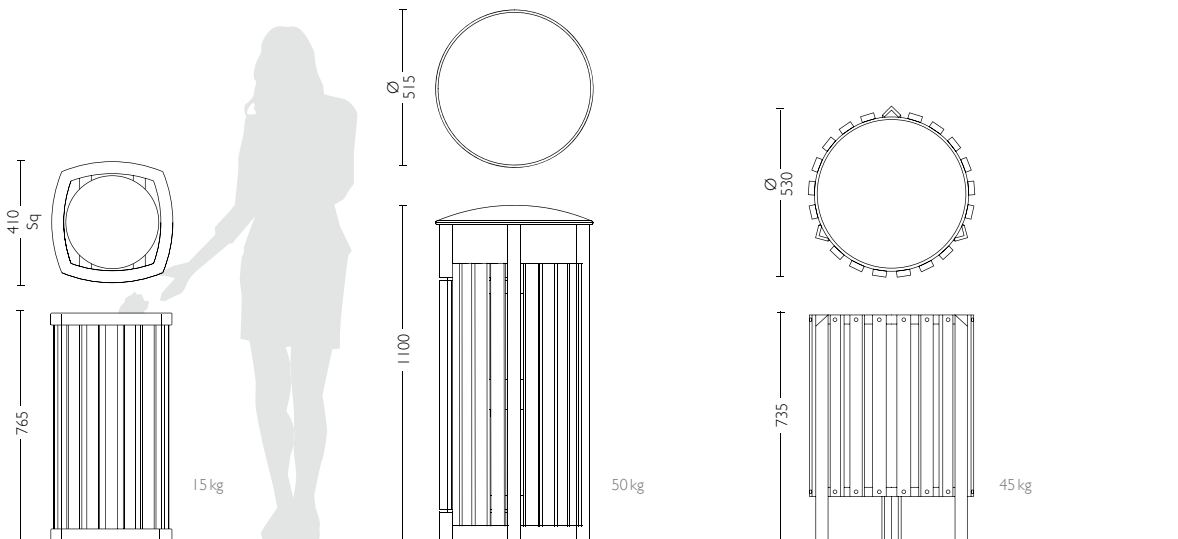
Note 4

Padlock Facility

For added security the side of the bin and the liner can be modified to accept a padlock. Padlock not supplied.

Product Codes are in **bold type**. Dimensions are in mm, are approximate and do not form any part of the contract.

We reserve the right to change the design and specification on any item offered and, where possible, notification will be made.



JUBILEE

JUB 405 T

Free Standing Timber Slatted Litter Bin
Iroko Slats, Sanded Finish
Plastic Coated Galvanised Steel Frame
Galvanised Steel Liner, Capacity 55 Litres

OPTIONS:

- Powder Coated Finish
- Enhanced Powder Coated Finish
- Galvanised Steel Frame

See Notes 1, 2 & 3

PORTMAN

PS 525 T

Free Standing Timber Slatted Litter Bin
Iroko Slats, Sanded Finish
Galvanised Steel Frame
Galvanised Steel Liner, Capacity 80 Litres

OPTIONS:

- Powder Coated Finish
- Enhanced Powder Coated Finish

See Note 3

TENBY

TSL 231

Free Standing Timber Slatted Litter Bin
Iroko Slats, 'Jotun Trebitt Teak' Finish
Galvanised Steel Frame, Black Plastic Coated Finish
Galvanised Steel Liner, Capacity 95 Litres

OPTIONS:

- Padlock Facility

See Notes 2 & 4