

▼ AMESBURY cast stone bench with GRC polished top installed at St Paul's Park, Bristol



CAST STONE & CONCRETE *seating*

Furnitubes have developed a line of contemporary cast stone and concrete benches for public spaces.

The **Marlborough** and **Amesbury** cast stone benches are supplied with a finely sprayed GRC top coating. They can be tailor-made to fit your specific size and finish. The Marlborough is also available in concrete.

Bespoke design and manufacturing service is also available.



▲ **AMESBURY**
stone bench with GRC polished top



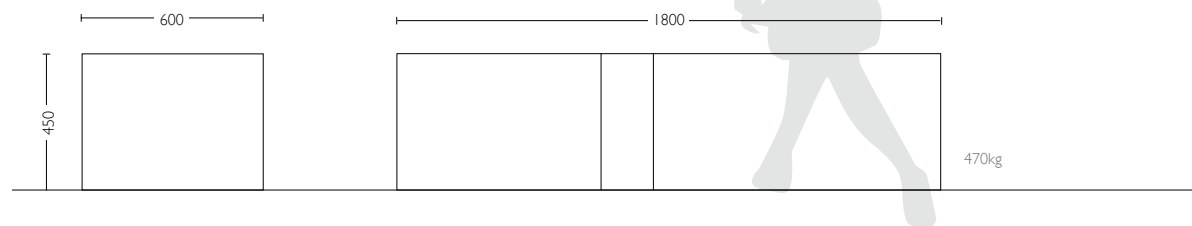
▲ **MARLBOROUGH**
stone bench with GRC polished top shown outside the Angel Pub, Rotherhithe

GRC COATING



GRC Coating is finely sprayed onto the cast stone or concrete bench surface and then hand-rubbed with diamond pads.

Finally, it is sprayed with a 2-pack epoxy sealer to give a polished appearance.



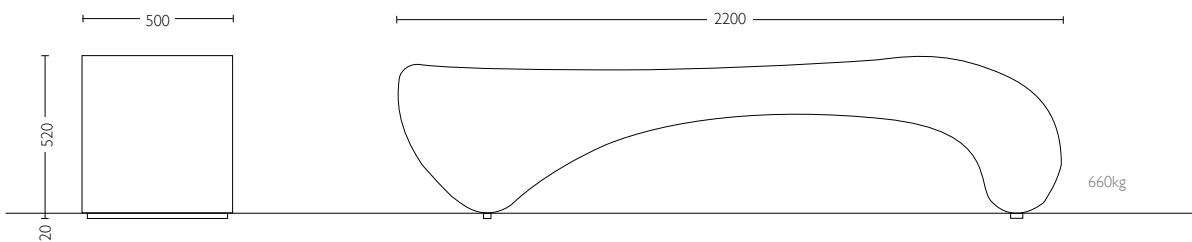
MARLBOROUGH

FCP 301

Cast Stone Bench with GRC Polished Top

OPTIONS

Concrete Bench with GRC Polished Top



AMESBURY

FCP 302

Cast Stone Bench with GRC Polished Top

TECHNICAL

Colours

Most BS/RAL colours are available. Due to the nature of cast stone & concrete, an exact match cannot be guaranteed. The surface layer may also be of a slightly differing tone

ITEMS ARE VERY HEAVY

Please observe health and safety safe lifting guidelines. A fork lift or crane will be required for off-loading.

© Designed by Rachel C Reynolds (The Shed Studios)

Product Codes are in **bold type**. Dimensions are in mm, are approximate and do not form any part of the contract.

We reserve the right to change the design and specification on any item offered and, where possible, notification will be made.



CAST STONE & CONCRETE *seating*



▲ **STANSTED**
yorkstone concrete - smooth cast prestige finish



▲ **STANSTED**
white concrete - smooth cast prestige finish
placed adjacent to each other

Furnitubes cast stone & concrete benches are simple and contemporary in style.

The modern **Stansted** concrete bench has two pedestal supports and a solid slab top making it a sturdy, yet attractive unit with a smooth 'granite' type visual finish. Available in three sizes, the benches require minimal maintenance.

The small form of the **Blyth** bench allow several benches to be placed in areas where a long bench is not suitable. It also allows for interesting layouts for schemes. A smooth cast prestige finish is more suited for seating purposes, whereas the exposed aggregate textured finish is ideal for using the seat to prevent ram-raiding.

All seats are supplied with a smooth cast prestige finish, available in many colours to match the pavement of locations.



▲ **BLYTH**
charcoal concrete - smooth cast prestige finish



► **BLYTH**
concrete - exposed aggregate finish
installed in Greenwich, London

TECHNICAL

Note 1

Finishes
Cast stone & concrete benches are available with a smooth cast prestige finish in the following colours:
Yorkstone
White
Grey
Charcoal

Other Colours are available.

Note 2

Circular Seating
The Stansted bench is also available in circular form, please contact sales for more information.



▲ **STANSTED CIRCULAR**

Note 3

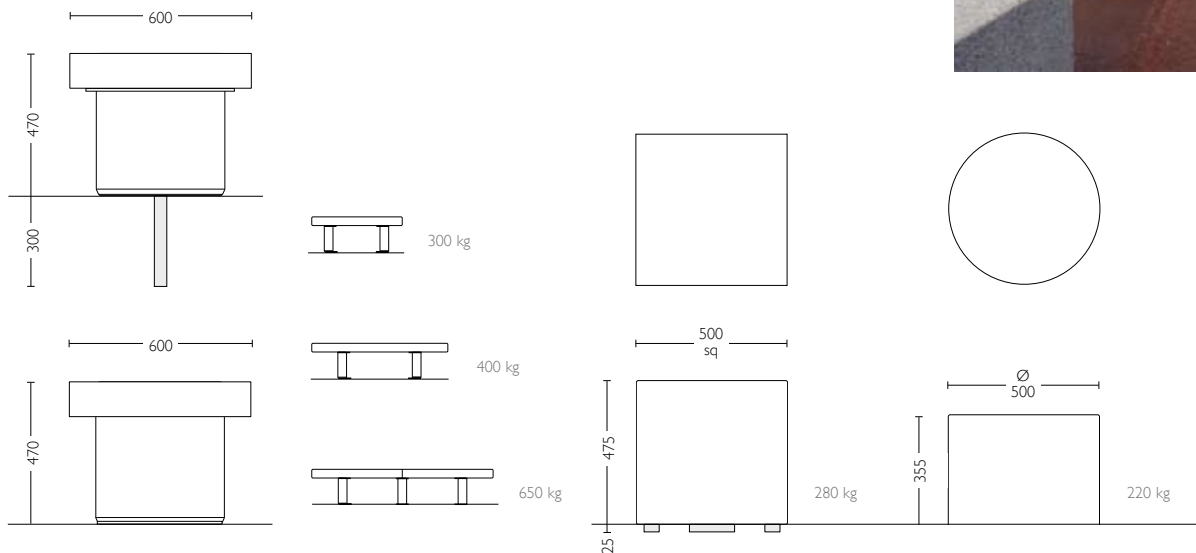
Blyth Seating
The Blyth range can be custom made to a variety of different sizes - please contact sales for more information.



Seat height can be an aid when alighting.

Product Codes are in **bold type**. Dimensions are in mm, are approximate and do not form any part of the contract.

We reserve the right to change the design and specification on any item offered and, where possible, notification will be made.



STANSTED BENCH
Bolt Down Concrete Bench with Smooth Cast Prestige Finish

STB 4
1200mm overall length Bench

STB 6
1800mm overall length Bench

STB 8
2400mm overall length Bench

See Notes 1 & 2

OPTIONS:
Root Fixed

Concrete colours available:
Yorkstone
White
Grey
Charcoal
Other Colours Available

BLYTH BENCH

BLS 6
Concrete Bench
Smooth Cast Prestige Finish

OPTIONS:
Cast Stone Bench
Exposed Aggregate Finish
Other sizes available on request
Cast Stone & Concrete colours available:
Yorkstone, White, Grey and Charcoal

See Notes 1 & 3

BLC 6
Concrete Bench
Smooth Cast Prestige Finish

OPTIONS:
Cast Stone Bench
Ø600 x 475mm height
Exposed Aggregate Finish
Cast Stone & Concrete colours available:
Yorkstone, White, Grey and Charcoal

See Notes 1 & 3

STEEL & CONCRETE *seating*



The **Rainham** seat and bench combine perforated steel with concrete creating seating with a distinctive style.

The perforated steel sections can be powder coated to a range of colours. The freestanding seat and bench are supported by stable concrete legs. They are also available root fixed.

▲ **RAINHAM SEAT**
perforated steel seat top with powder coated arms

▲ **RAINHAM BENCH**
powder coated steel bench top
yorkstone concrete legs - smooth cast
prestige finish

The solid **Harlow** all-concrete bench complements any park and play area.

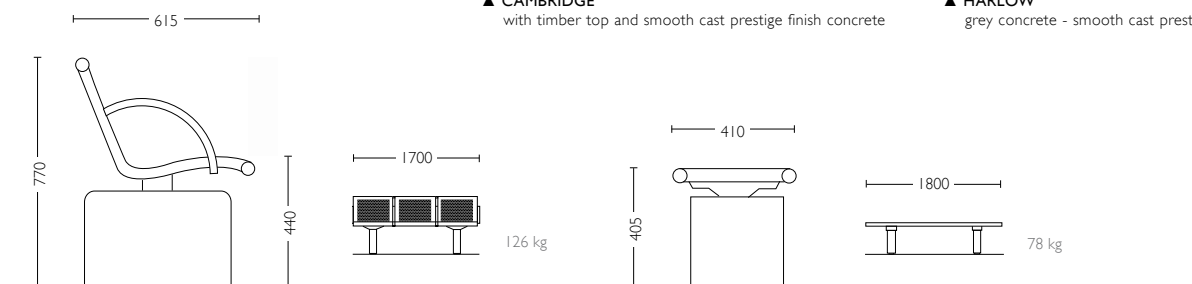
The **Cambridge** bench combines natural timber and concrete to create a great visual impact.

Both the Cambridge and Harlow are supplied with a prestige etched surface finish. Many colours are available.



▲ **CAMBRIDGE**
with timber top and smooth cast prestige finish concrete

▲ **HARLOW**
grey concrete - smooth cast prestige finish

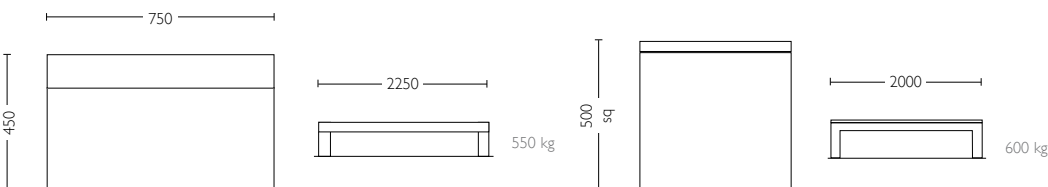


RAINHAM SEAT
RAS 6
Steel and Concrete Seat
Smooth Cast Prestige Finish Concrete Legs
Perforated Steel Seat Top in any RAL Colour

OPTIONS:
Root Fixed
See Note 1

RAINHAM BENCH
RAB 6
Steel and Concrete Bench
Smooth Cast Prestige Finish Concrete Legs
Perforated Steel Bench Top in any RAL Colour

OPTIONS:
Root Fixed
See Note 1



HARLOW BENCH
HAB 7
Concrete Bench
Smooth Cast Prestige Finish

OPTIONS:
See Note 1

CAMBRIDGE BENCH
CAB 7
Concrete Bench with I digbo Hardwood Timber Top
Sadolin Treated Timber Finish
Smooth Cast Prestige Finish Concrete

OPTIONS:
See Note 1

TECHNICAL

Note 1
Finishes
Concrete seats are available with a smooth cast prestige finish in the following colours:
Yorkstone
White
Grey
Charcoal

Other colours also available.



Seat height can be an aid when alighting.

Product Codes are in **bold type**. Dimensions are in mm, are approximate and do not form any part of the contract.

We reserve the right to change the design and specification on any item offered and, where possible, notification will be made.