

# NEWSTEAD & ASHBURTON

## seat



▲ **NEWSTEAD**  
as supplied to Ashwick Parish Council, Bath

### RECYCLED SLATS

- long lasting & robust
- low maintenance
- 100% recycled and recyclable

Available in brown or black as standard

The economical and simplistic design of the Newstead and Ashburton seats makes them a popular choice for town and country environments.



▲ **ASHBURTON**  
with black painted standards  
as supplied to Prior Pursglove  
College, Redcar

The steel and timber construction of the **Newstead** creates a strong and hardwearing solution for areas such as school playgrounds and playing fields.

Based on the Newstead, the **Ashburton** is not only economical and hardwearing, but is also 100% recyclable. The Ashburton combines galvanised steel standards and slats that are made from recycled plastics, providing a durable, environmentally friendly option for public seating.



Furnitubes steel is 100% recyclable



Furnitubes timber is 100% biodegradable



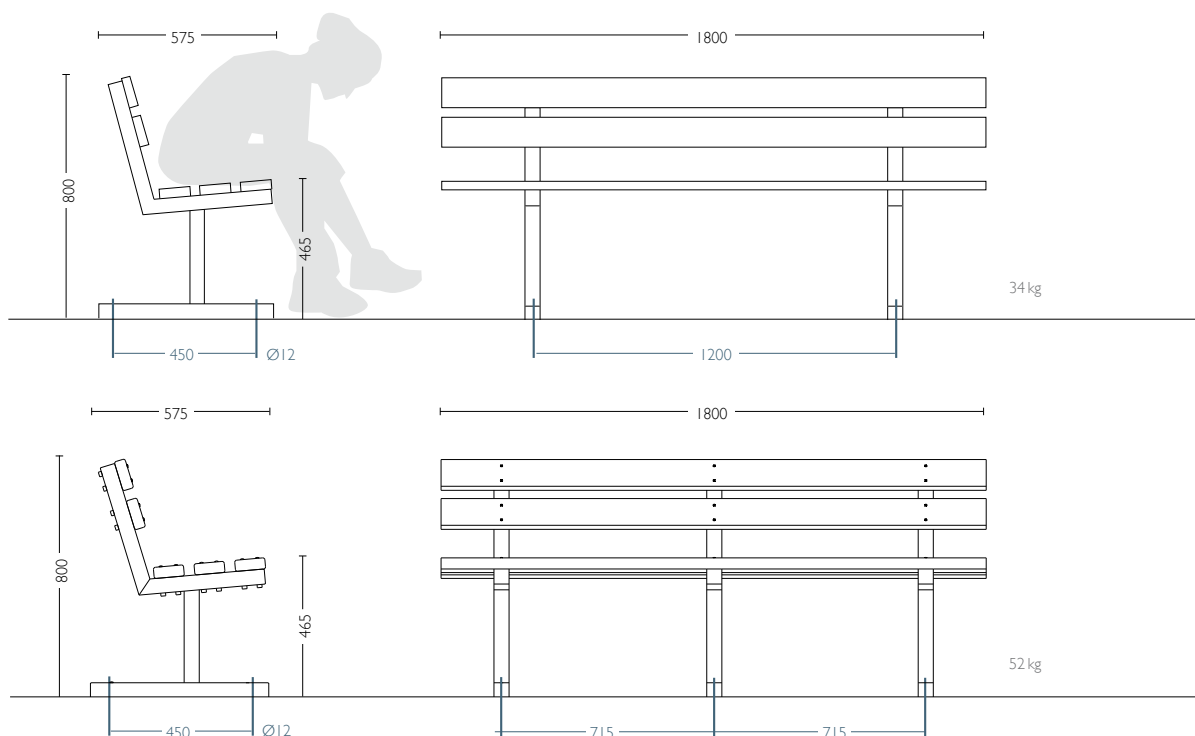
Legally sourced certified timbers available as special request



Furnitubes plastic slats consist of 100% recycled material



Seat height can be an aid when alighting



### TECHNICAL

#### Timber Finish

Standard finish is natural planed. Coated timbers are available on special request.

#### Steel Finish

Steel seat standards are supplied in galvanised finish as standard. Other BS 4800 & RAL series colours are available on special request.

#### Fixing

Seat feet are pre-drilled at positions shown in blue to allow for fixing down.

#### Inscriptions

Seats for presentation, commemoration or memorial use are available with an engraved bronze plaque attached to the timber back rail.

Product Codes are in **bold type**. Dimensions are in mm, are approximate and do not form any part of the contract.

We reserve the right to change the design and specification on any item offered and, where possible, notification will be made.

#### NEWSTEAD (TOP ILLUSTRATION)

Steel Standards, Galvanised Finish  
Iroko Timber Slats, Natural Planed Finish

#### NS 6

1800mm overall length Seat

#### OPTIONS:

Painted Standards to BS / RAL colour  
Bronze Plaque

#### ASHBURTON (LOWER ILLUSTRATION)

Steel Standards, Galvanised Finish  
Brown Recycled Plastic Slats

#### ASH 6

1800mm overall length Seat

#### OPTIONS:

Painted Standards to BS / RAL colour  
Black Recycled Plastic Slats



# RECYCLED PICNIC tables



Furnitubes now offer recycled plastic picnic tables. Unlike timber, these recycled plastic seats do not knot or splinter, and are environmentally friendly.

The Paisley Picnic Table combines recycled plastic slats with galvanised steel standards to create hardwearing and durable seating.

The Dundee picnic table is made completely from recycled plastic. These tables are ideal for parks, schools and playing areas. Both seats are available in a range of colours.

▲ **DUNDEE**  
brown recycled plastic slats



▲ **DUNDEE**  
detail



▲ **PAISLEY**  
brown recycled slats  
galvanised steel frame

timber picnic tables



ploughman timber  
pg 202



ploughman steel &  
timber pg 202

## TECHNICAL



### Material

Furnitubes recycled plastic seats are made from high quality preprocessed recycled plastics.

Recycled plastic products may show variations in colour and dimensions.

### Colours

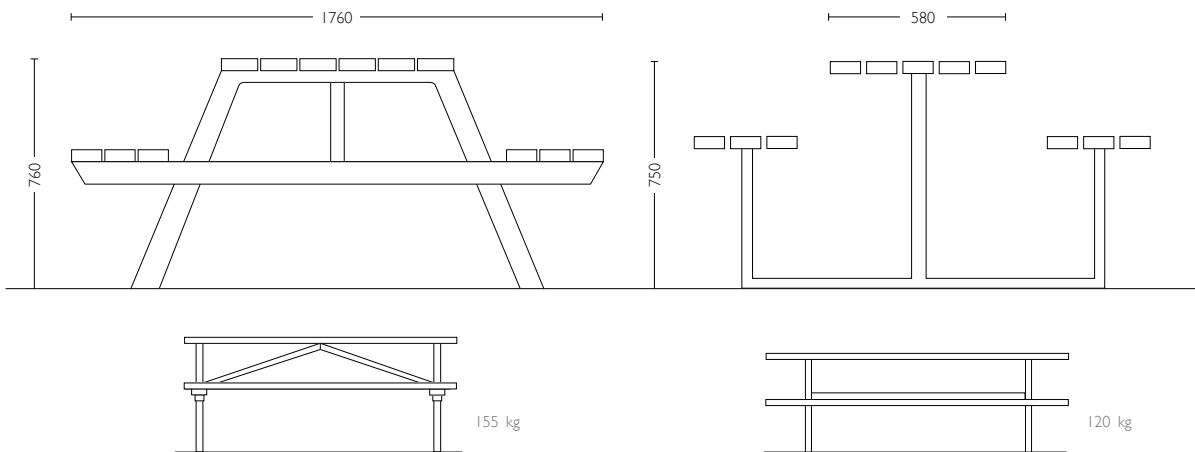
Seats are supplied in brown as standard. Other coloured slats are available on request.

### Fixing

Seats are supplied flat-packed, with fixings, tools and instructions for self assembly.

Product Codes are in **bold type**. Dimensions are in mm, are approximate and do not form any part of the contract.

We reserve the right to change the design and specification on any item offered and, where possible, notification will be made.



### DUNDEE

Recycled Plastic Frame & Slats

#### **DUN 104**

1800mm overall length  
Bench & Table Top  
Brown Recycled Plastic

#### OPTIONS:

Other colours

### PAISLEY

Galvanised Steel Frame, Recycled Plastic Slats

#### **PAT 104**

2000mm overall length  
Bench & Table Top  
Brown Recycled Plastic

#### OPTIONS:

Other colours



# LAMBETH® range



◀ **LAMBETH TIMBER**  
DDA compliant 2-arm configuration

▼ **LAMBETH**  
Recycled Slats, DDA compliant 3-arm combination  
installed in Swanage, Dorset



Furnitubes cast iron is 100% recyclable



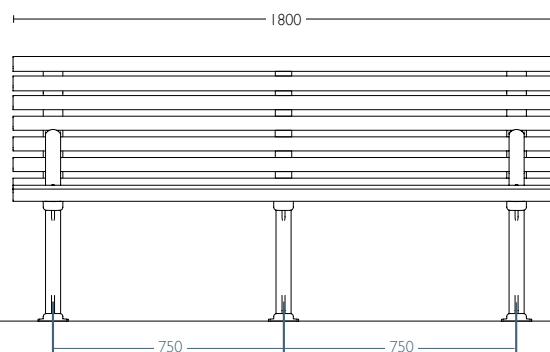
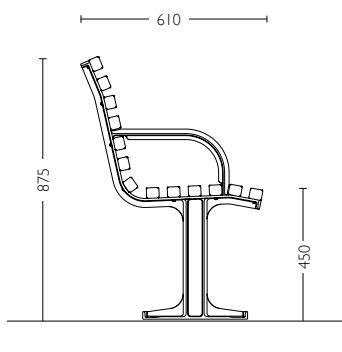
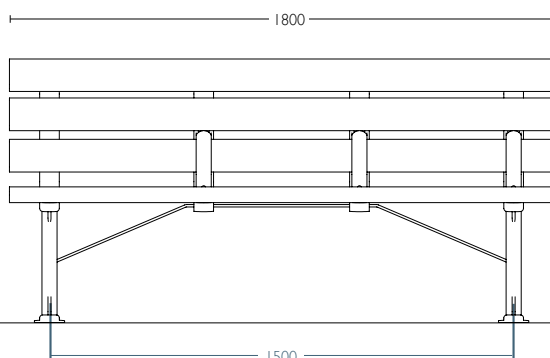
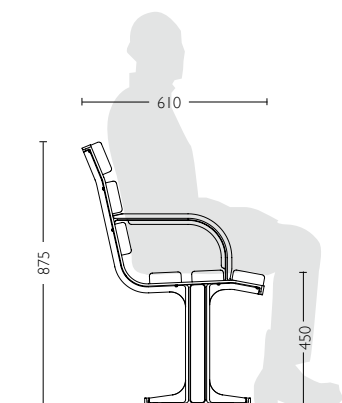
Furnitubes timber is 100% biodegradable



Legally sourced certified timbers available as special request



Seat height & arm rests can be an aid when alighting



## TECHNICAL

### Cast Iron Finish

Seat standards are supplied in gloss black finish as standard. Other BS & RAL series colours are available on special request.

### Timber Finish

Standard finish is natural planed. Coated timbers and Graffiti Removal System are available on special request. Please refer to the appendices.

### Fixing

Seat feet are pre-drilled at positions shown in blue to allow for fixing down.

### Inscriptions

Seats for presentation, commemoration or memorial use are available with an engraved bronze plaque attached to the timber back rail.



Seats height and arm rests can be an aid when alighting

Product Codes are in **bold type**. Dimensions are in mm, are approximate and do not form any part of the contract.

We reserve the right to change the design and specification on any item offered and, where possible, notification will be made.

### LAMBETH SEAT

**LAM 632 BP** (top illustration)  
Cast Ductile Iron Painted Standards  
Recycled Plastic Slats  
DDA Compliant configuration (3 arm, 2 leg)

#### OPTIONS:

Other arm/leg configurations (see opposite)  
Slats Available in Black or Brown

**LAM 623 BST** (lower illustration)  
Cast Ductile Iron Painted Standards  
Legally sourced certified hardwood slats  
2-arm, 3 leg configuration

#### OPTIONS:

Other arm/leg configurations (see opposite)  
DDA Compliant configuration available  
Slats Available in Black or Brown





# DISTRICT

## bench



**DISTRICT SMALL ▲**  
1800mm stainless steel & timber

**DISTRICT LARGE ►**  
1830mm recycled slats



Furnitubes s/steel & recycled slats are 100% recyclable



Furnitubes timber is 100% biodegradable

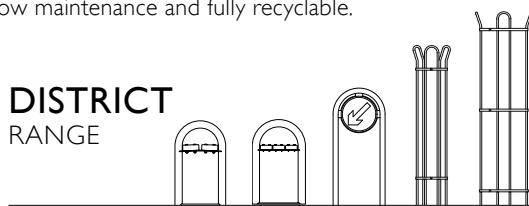


Legally sourced certified timbers available on request



The District is also available in a wider triple-slatted version that is supplied in galvanised steel with recycled plastic slats that are long lasting, low maintenance and fully recyclable.

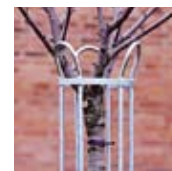
### DISTRICT RANGE



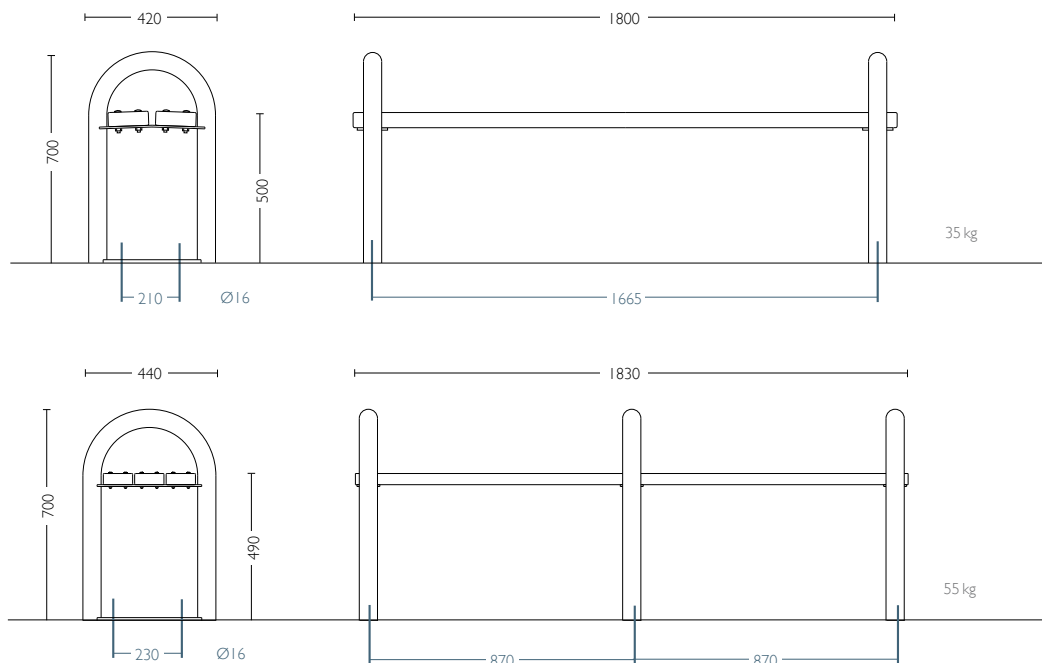
bollards  
pg 35



cycle stand  
pg 101



tree protection  
pg 313



#### DISTRICT SMALL (TOP ILLUSTRATION)

##### DST 6

1800mm overall length Bench  
Tubular Stainless Steel Standards, Bright Polished Finish  
Iroko Timber Slats, Natural Planed Finish

##### OPTIONS:

Stainless Steel Satin Polished  
Plastic Coated

#### DISTRICT LARGE (LOWER ILLUSTRATION)

##### DST 7

1830mm overall length Bench  
Tubular Steel Standards, Galvanised Finish  
Brown Recycled Plastic Slats

##### OPTIONS:

Iroko Timber Slats  
Plastic Coated  
Enhanced Powder Coated

### TECHNICAL

#### Timber Finish

Standard finish is natural planed. Coated timbers and Graffiti Removal System are available on special request. Please refer to the appendices.

#### Fixing

Seat feet are pre-drilled at positions shown in blue to allow for fixing down.

#### Finishes

The District is available in the following finishes:

- Powder Coat
- Enhanced Powder Coat
- Plastic Coat

A wide range of BS/RAL colours are available. For further information see pages 337-339.



Seat height & arm rests can be an aid when alighting

Product Codes are in **bold type**. Dimensions are in mm, are approximate and do not form any part of the contract.

We reserve the right to change the design and specification on any item offered and, where possible, notification will be made.

