

CESHUNT

range



The Cheshunt range combines a simple and natural appearance with the strength of construction to resist vandalism.

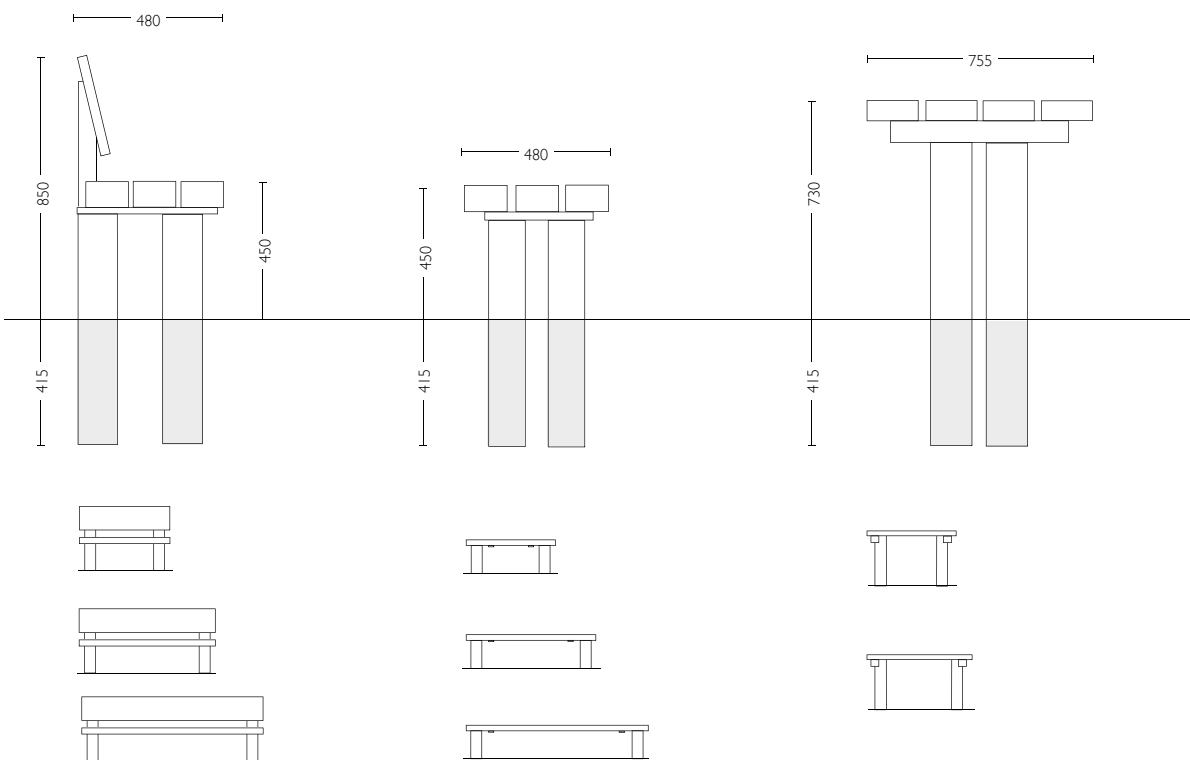
The all-timber seat has slightly raked slats, the bench dished slats to give extra comfort and to enable water run-off. A matching table is also available. The range is available ground or root fixed.



Furnitubes timber is 100% biodegradable

▲ CESHUNT SEAT
installed in Elms Lane, Middlesex

▲ CESHUNT BENCH & TABLE



TECHNICAL

Timber Finish
Standard finish is stained to Jotun Trebitt Teak shade.

Seats are supplied assembled.



Seat height can be an aid when alighting.

CESHUNT SEAT

Iroko Timber Slats
Root Fixed

CHS 4
1200mm overall length Seat

CHS 6
1800mm overall length Seat

CHS 8
2400mm overall length Seat

OPTIONS:
Bolt Down

CESHUNT BENCH

Iroko Timber Slats
Root Fixed

CHS B4
1200mm overall length Bench

CHS B6
1800mm overall length Bench

CHS B8
2400mm overall length Bench

OPTIONS:
Bolt Down

CESHUNT TABLE

Iroko Timber Slats
Root Fixed

CHS T4
1200mm overall length Table

CHS T6
1800mm overall length Table

OPTIONS:
Bolt Down

Product Codes are in **bold type**. Dimensions are in mm, are approximate and do not form any part of the contract.

We reserve the right to change the design and specification on any item offered and, where possible, notification will be made.





Timber Care & Preservation

Funitubes offers all our customers the following advice when installing our range of exterior-use timber seating. Normal weather conditions can cause shrinkage and cracking in all timber products, due to their natural reaction to the elements.

Most Funitubes' timber products are supplied untreated, enabling application of the most appropriate preservative for the particular installation site.

Please see appendices or contact your local Wood Preservation Specialist for further recommendations.

TIMBER

seating

Timber seats are most often specified for parkland and rural areas where they integrate well with the natural surroundings. Timber is a material which weathers naturally and, when treated appropriately, proves maintenance friendly and economical.

Most of the seats in Furnitubes' timber range are available in a number of different lengths and the larger ones are supplied with a middle leg support.

The **Rothesay**, **Lincoln** and **Glenham** are constructed from heavy duty teak and are robust enough to withstand everyday use whilst needing only minimum maintenance.



Furnitubes steel & timber can be recycled



Furnitubes timber is 100% biodegradable



Legally sourced certified timbers available as special request



Arm rests can be an aid when alighting

OPTIONS

Available on request



Engraved Bronze Plaque



Hand carving onto the backrest



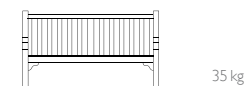
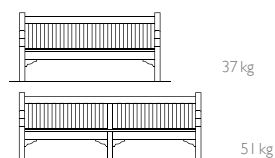
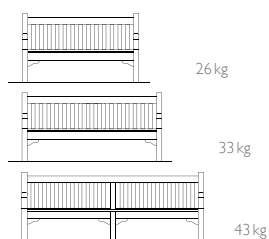
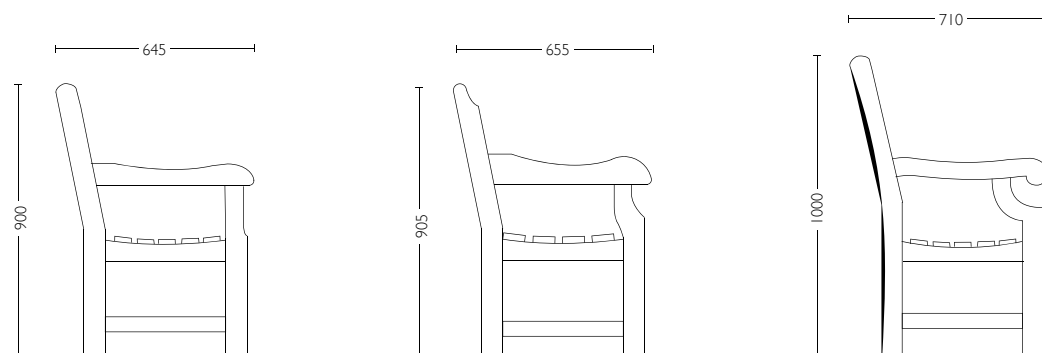
▲ GLENHAM



▲ ROTHESAY



▲ LINCOLN



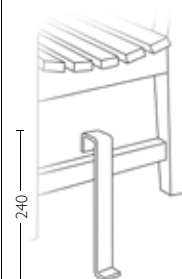
TECHNICAL

Timber Finish

Standard finish is natural planed.

Fixing Irons

Galvanised steel Fixing Irons 240mm long for setting in concrete are available. Please state when ordering.



Assembly

Supplied in component form for on-site assembly.

Product Codes are in **bold type**. Dimensions are in mm, are approximate and do not form any part of the contract.

We reserve the right to change the design and specification on any item offered and, where possible, notification will be made.

GLENHAM

GS5
1490mm overall length Teak Seat

GS6
1795mm overall length Teak Seat

GS8
2365mm overall length Teak Seat

OPTIONS:

Engraved Bronze Plaque
Handcarved Backrest
Fixing Irons

ROTHESAY

RS6
1820mm overall length Teak Seat

RS8
2400mm overall length Teak Seat

OPTIONS:

Engraved Bronze Plaque
Handcarved Backrest
Fixing Irons

LINCOLN

LI6
1830mm overall length Teak Seat

OPTIONS:

Engraved Bronze Plaque
Handcarved Backrest
Fixing Irons

