

## ZENITH RANGE

### TECHNICAL

#### Material

Furnitubes stainless steel bollards are 100% recyclable.

#### Disability Conscious

Bollards installed 1000mm above ground aid the visually impaired and can assist with the requirements of BS8300.

#### Note 1

#### Removable Bollards

Removable bollards are supplied with a socket & hinged cover plate. See page 59.

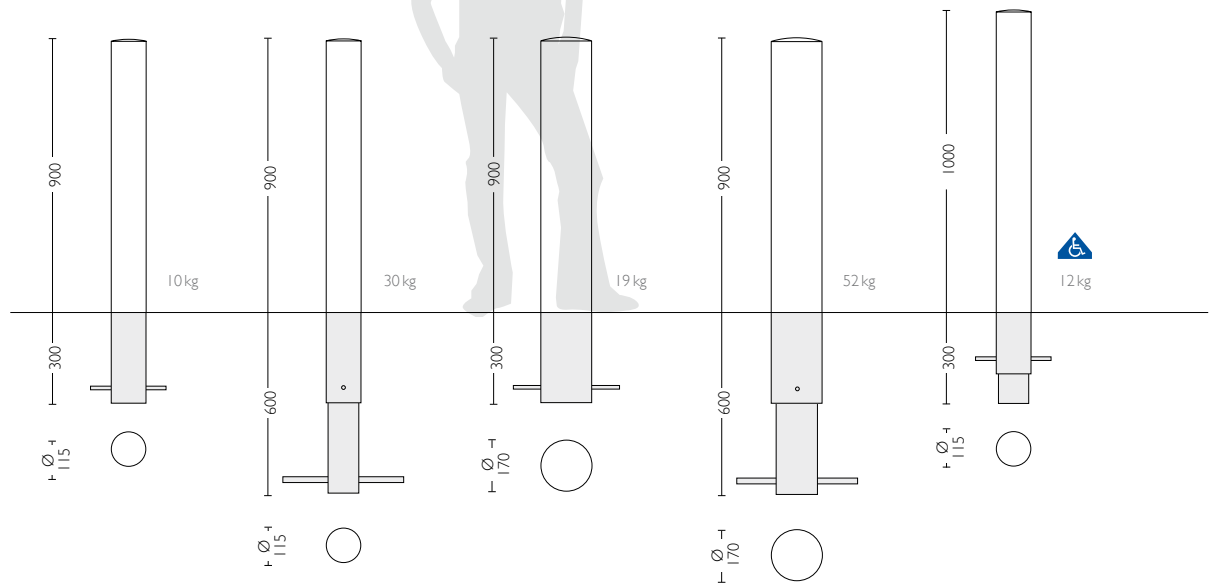
#### Note 2

#### F1 Socket

F1 Sockets are available as an alternative to our standard sockets to accept bollards of Ø115 diameter. They are a composite of cast iron and mild steel. All fixings are stainless steel. See page 60.

Product Codes are in **bold type**. Dimensions are in mm, are approximate and do not form any part of the contract.

We reserve the right to change the design and specification on any item offered and, where possible, notification will be made.



#### ZENITH

#### **ZEN 701**

Grade 304 Stainless Steel  
Bright Polished Finish

#### OPTIONS:

Removable  
Base Plated  
Satin Polished  
Grade 316 Stainless Steel

[See Notes 1 & 2](#)

#### **ZEN 701 SC**

Grade 304 Stainless Steel  
Anti-Ram Raid Version  
Reinforced with Steel Insert  
Bright Polished Finish

#### OPTIONS:

Satin Polished  
Grade 316 Stainless Steel

#### **ZEN 702**

Grade 304 Stainless Steel  
Bright Polished Finish

#### OPTIONS:

Removable  
Base Plated  
Satin Polished  
Grade 316 Stainless Steel

[See Note 1](#)

#### **ZEN 702 SC**

Grade 304 Stainless Steel  
Anti-Ram Raid Version  
Reinforced with Steel Insert  
Bright Polished Finish

#### OPTIONS:

Satin Polished  
Grade 316 Stainless Steel

#### **ZEN 801 DDA**

Grade 304 Stainless Steel  
Bright Polished Finish

#### OPTIONS:

Removable  
Base Plated  
Satin Polished  
Grade 316 Stainless Steel

[See Notes 1 & 2](#)

### ▼ ZENITH Sloped

installed at the junction - Tunnel Retail Park, Thurrock



Details of reflective tape, eye-bolts, chain and other standard fittings can be found on page 78.

For security installation, see page 344.

For removable options, see pages 59-61.



# TELESCOPIC

## *security posts*

For those that need security bollards that can be lowered into the ground when not in use, Furnitubes range of Telescopic Bollards combine strength with aesthetic appeal to provide this dual function.

Telescopic Bollards meet the requirements of a wide variety of security needs, from preventing access to driveways to stopping ram raid attacks.

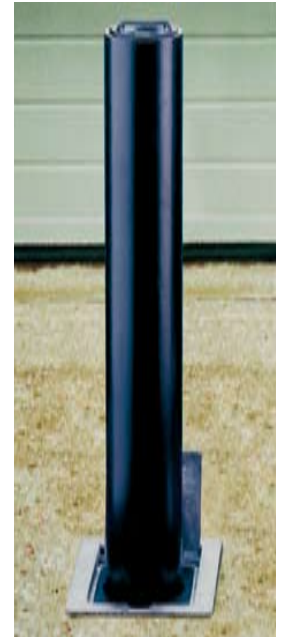
The bollards are designed for ease of use, taking just seconds to raise each one and lock into place using its integral high security lock. When not in use the post is completely concealed, sliding discretely into the ground where it is covered by a steel flap.



▲ TPR 600  
Round Telescopic Bollard  
Black Powder Coated Finish  
shown at Westwood Cross, Kent



▲ TPS 700  
Square Telescopic Bollard  
in raised position



▲ TPR 800  
Round Telescopic Bollard  
in raised and lowered positions



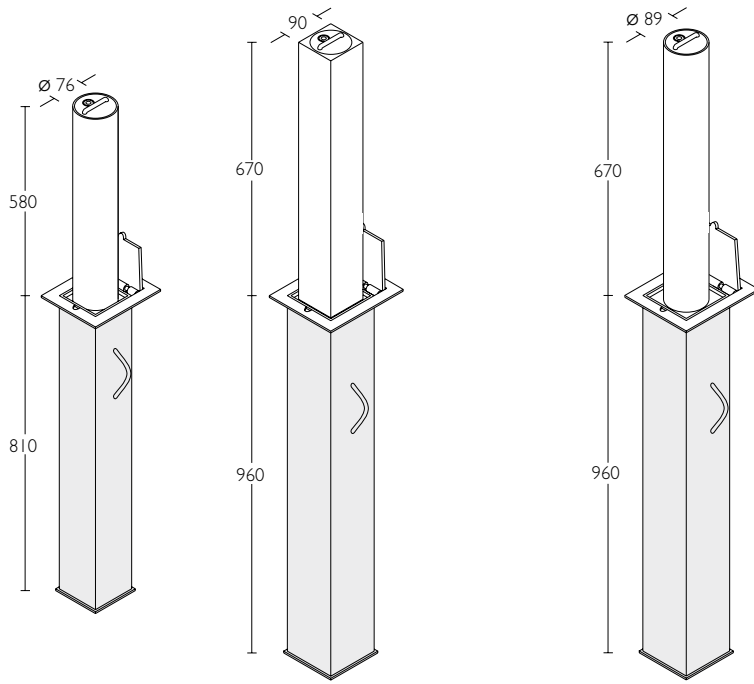
▲ TPR 300  
Round Stainless Steel Telescopic Bollard  
in raised position and top detail

The majority of the range is available in a galvanised or polyester powder coated finish.

A stainless steel version is now also available, to compliment Furnitubes existing range of stainless steel bollards and other street furniture.



# TELESCOPIC SECURITY POSTS



For a more traditional look a Victorian style ornamental top is available for some of the bollards. The top locks into place when the bollard is in the raised position and is removed when it is lowered.



## TECHNICAL

### Keys

Each post is supplied with one key. Please specify whether all posts are required keyed alike or to have individually numbered locks. Additional keys can be supplied as optional extras.

### Installation

For the best protection of a building, bollards should be installed no less than 1.3m from the fascia to be protected. A distance from centre to centre of bollards of 1.25m is recommended, and should not exceed 1.4m.

### Lifting weights

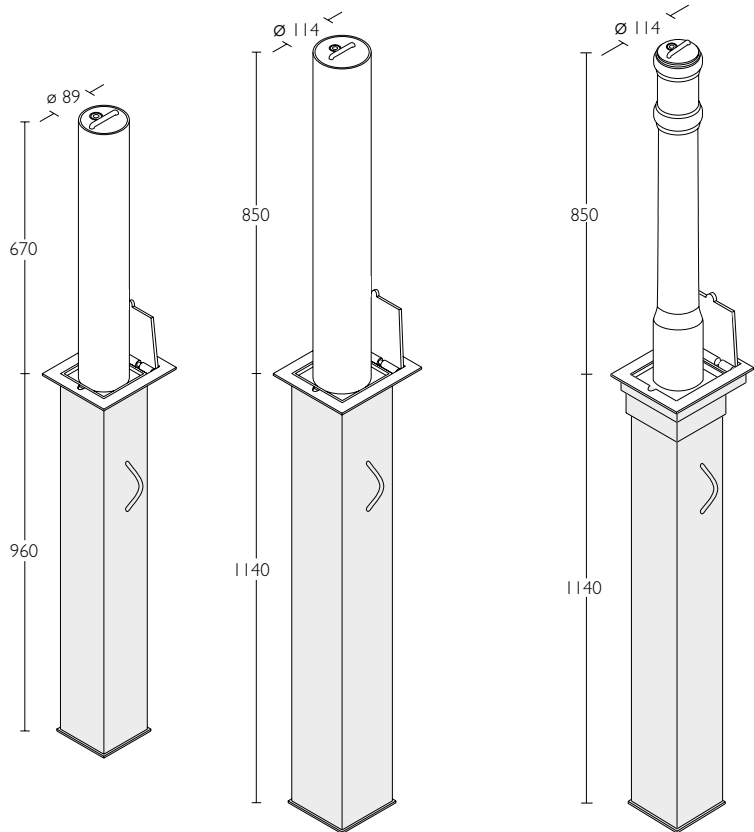
The lifting weights for the telescopic bollards are as follows:

- TPR 576** - 8 kg
- TPS 700** - 12 kg
- TPS 800** - 14 kg
- TPR 700** - 12 kg
- TPR 800** - 14 kg
- TPR 390** - 14 kg
- TPR 600** - 17 kg
- TPR 300** - 22 kg
- TPB 725** - 22 kg

### Foundation

To ensure sufficient drainage, a combination of concrete and loose chippings will be required. See page 346 for more information.

DRIVEWAY TELESCOPIC	SQUARE TELESCOPIC	ROUND TELESCOPIC	ORNAMENTAL LOCKING TOP
<p><b>TPR 576</b> Steel, Galvanised and Polyester Powder Coated Black or Yellow</p> <p><b>OPTIONS:</b> Other BS or RAL colours available</p>	<p><b>TPS 700</b> Steel, Galvanised Finish</p> <p><b>OPTIONS:</b> Polyester Powder Coated</p>	<p><b>TPS 800</b> Anti Ram Raid version Steel, Galvanised Finish</p> <p><b>OPTIONS:</b> Anti-Cut 100mm square Polyester Powder Coated</p>	<p><b>TPR 700</b> Steel, Galvanised Finish</p> <p><b>OPTIONS:</b> Polyester Powder Coated Ornamental locking top</p>
<p><b>TPR 800</b> Anti Ram Raid version Steel, Galvanised Finish</p> <p><b>OPTIONS:</b> Polyester Powder Coated Ornamental locking top</p>	<p><b>CT 001</b> Victorian-style Cast Alum Cap Polyester Powder Coated Black with Rings Highlighted in Gold</p> <p>For use with the Polyester Powder Coated versions of the <b>TPR 700 &amp; TPR 800 ONLY</b></p>		



▲ **TPB 725**  
Bury PU Telescopic Bollard

Furnitubes now offer a tough new Polyurethane Elastomer (PU) Anti-Ram Raid telescopic bollard. The durable PU is cast around a reinforced steel core that offers low maintenance coupled with excellent resistance to the weather and many other types of abrasion.

STAINLESS STEEL TELESCOPIC	LARGE ROUND TELESCOPIC	BURY - PU TELESCOPIC
<p><b>TPR 390</b> Anti Ram Raid bollard Stainless Steel, Satin Finish</p>	<p><b>TPR 600</b> Steel, Galvanised Finish</p> <p><b>OPTIONS:</b> Polyester Powder Coated Finish</p>	<p><b>TPR 300</b> Stainless Steel, Satin Finish</p> <p><b>TPB 725</b> Telescopic Anti Ram Raid bollard Polyurethane Elastomer formed around a Steel Inner Core Two-Pack Polyurethane Gloss Finish Steel Telescopic Socket Galvanised Finish</p> <p><b>OPTIONS:</b> Fixed Bollard</p>

Product Codes are in **bold type**. Dimensions are in mm, are approximate and do not form any part of the contract.

We reserve the right to change the design and specification on any item offered and, where possible, notification will be made.

