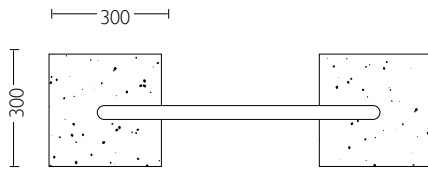
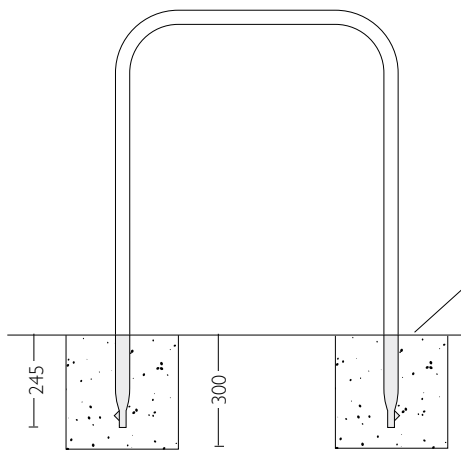
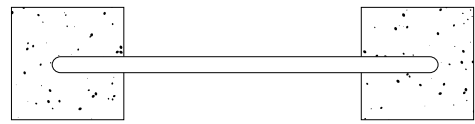




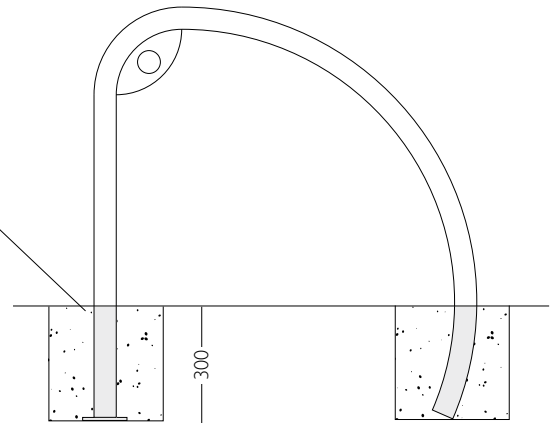
COLLEGE - Root Fixed
CSG 650 G



FIN - Root Fixed
FIN 600 G



BACKFILL WITH
25 NEWTON
CONCRETE



FOUNDATION DETAILS

For standard root fixed cycle stands.

Each situation regarding soil condition, underground services and features will be different.

The illustrations show a minimum recommendation. In cases of doubt, a professional engineer's opinion should be sought.