

TO INSTALL

Determine position of installation. Recommended distance between centres: 1250mm, maximum 1400mm

Break surface and excavate hole "E" mm deep by "D" mm diameter as shown.

Fill hole with just over 100mm of 20mm/12mm clean chippings. (dimension "A" is actual depth)

Lower post onto chippings and check height.

Lid of post should be 5mm above ground level.

Add or remove aggregate until desired height is obtained.

Position post central in bore hole and add more chippings until post stands unaided.

Withdraw sliding post and manoeuvre into vertical position using a spirit level.

Add more chippings until approximately "C" mm from surface.

Fill remainder of hole with 4:2:1 concrete mix and smooth off neatly to lid surround, leaving slight fallaway.

Finally check again vertical position using a spirit level and retract post back gently into ground and lock.

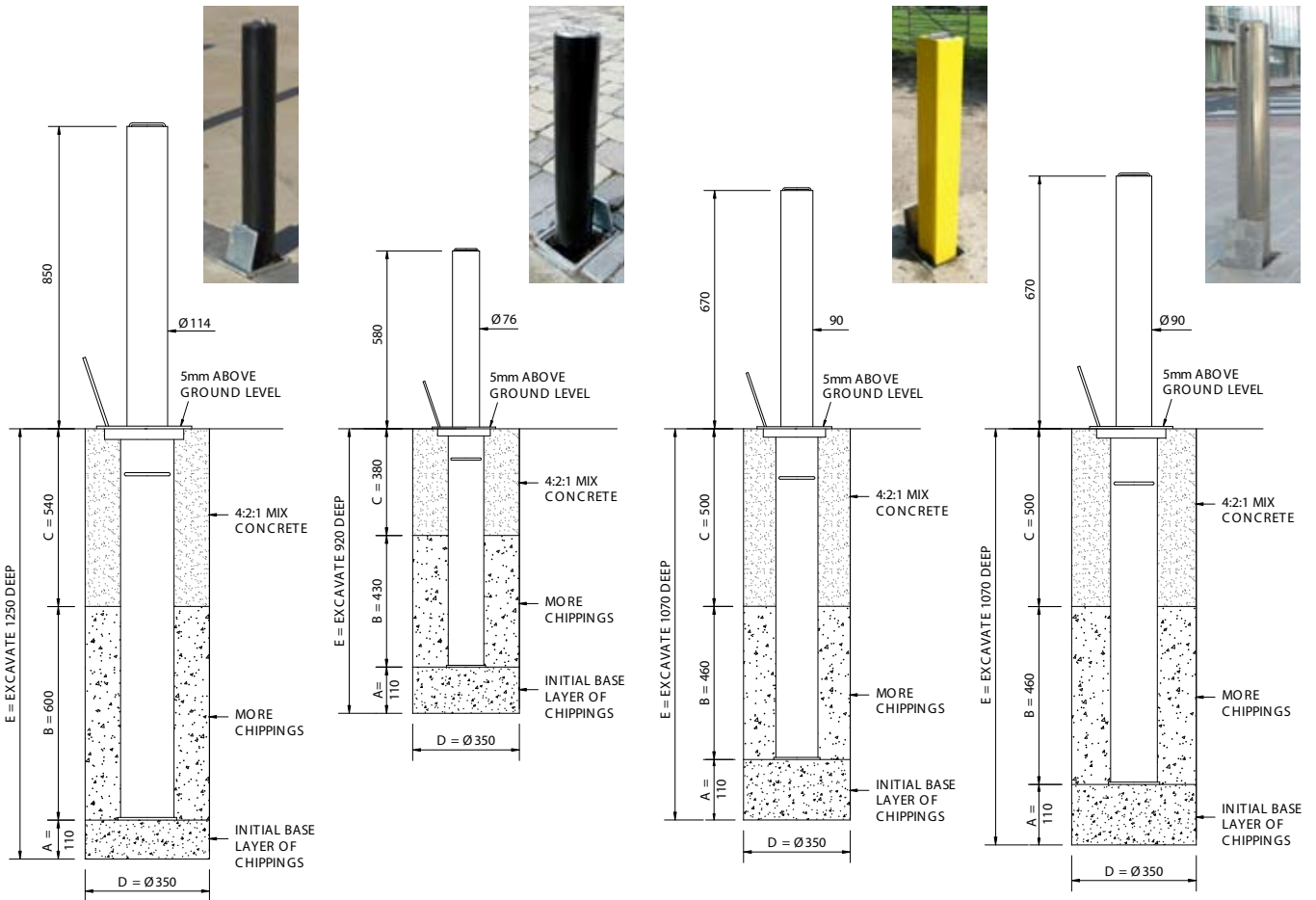
Leave for 24 hours before operating.

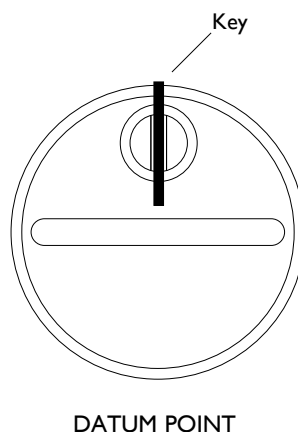
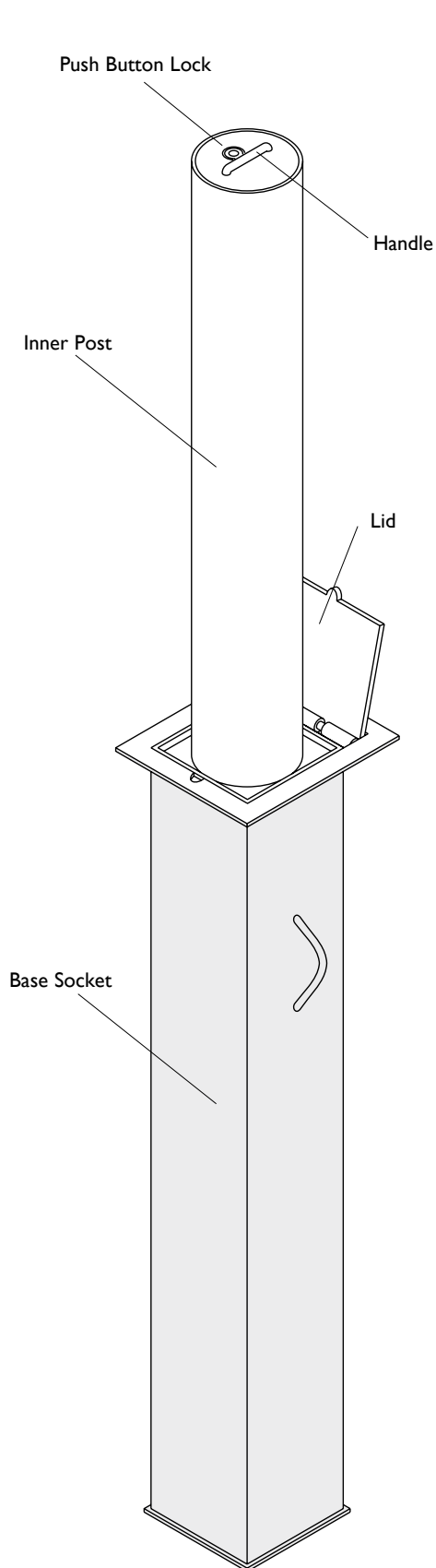
Keep upper post clean during fitting procedure.

When lowering post do so in a controlled manner. Do not allow it to free fall down into base.

Large Round Telescopic **TPR300, TPR600**, Driveway Telescopic **TPR576**
 Bury PU Telescopic **TPB725**

Square Telescopic **TPS700, TPR700**, Round Telescopic **TPS800, TPR800**, Stainless Steel Telescopic **TPR390**





TO UNLOCK

Release push button lock with key.
Return key to datum position depressing key slightly and remove.
Rotate handle quarter turn anticlockwise.
When lowering post do so in a controlled manner - do not allow it to free fall down into base.
To lock in lowered position, rotate handle quarter turn anticlockwise.
Press down push button lock.

TO LOCK

Lift lid, draw up inner post to full extent.
Rotate handle clockwise quarter turn.
Press down push button lock.

WEEKLY MAINTENANCE

Keep sliding inner post clean.
Flush out and lubricate lock with WD40 or similar.
Installations with high water tables or adverse conditions should be checked daily.
Always close the lid after use and ensure that the hinge is clear of debris and lubricated periodically

OPERATING WEIGHTS

TPR 500 - ROUND DRIVEWAY TELESCOPIC POST	9.0 kg
TPR 700 - ROUND TELESCOPIC POST	12.0 kg
TPR 800 - ROUND HEAVY-DUTY TELESCOPIC	15.0 kg
TPS 700 - SQUARE TELESCOPIC POST	10.0 kg
TPS 800 - SQUARE HEAVY-DUTY TELESCOPIC	12.0 kg
TPR 600 - LARGE ROUND TELESCOPIC POST	17.0 kg
TPR 390 - STAINLESS STEEL TELESCOPIC POST	17.0 kg

ALWAYS ADHERE TO THE HSE SAFE LIFTING GUIDELINES

WARNING

FAILURE TO COMPLY WITH THESE INSTRUCTIONS MAY CAUSE MALFUNCTION OF THE POST AND INVALIDATION OF YOUR WARRANTY. PLEASE ADHERE TO THEM.

