

DISPLAY CASES INTRODUCTION



Display case for post & wall-mounting

Display cases are an ideal way to present both permanent and temporary printed material - including notices, signs and maps - to provide residents, visitors and users of an area or facility with up-to-date information on upcoming events. Robust and weather-proof, all of our cases have lockable glazed doors that protect the display material against ingress from dust and damp. We offer 3 different ranges of display cases - Traditional, Economy and Themed - with the following features common across all ranges:

- Purpose-designed extruded aluminium frames
- Weather-sealed and designed for exterior conditions
- A wide range of standard sizes
- Locking doors
- Attachment of information within the case by simple-to-use magnetic pins
- Polycarbonate glazing as standard, with the option of glass
- A range of standard colours

DISPLAY CASES INTRODUCTION

Traditional Range

This range is primarily designed to be used in conjunction with our traditionally-styled columns derived from our directional fingerpost range of products, although they can be also used for wall mounting. Cases are large format as generally required for municipal areas and can be mounted between a choice of 5 standard column designs. There are further options for decorative column finials and optional header boards.



Economy Range

The Economy range offers 2 basic styles (squared and rounded corners) and nearly 20 standard size variations of wall and post-mounted display cases designed for 'everyday' sites that require straightforward and visually plain products, without the types of adornments offered in our traditional range. The range lends itself to multiple side-by-side units and back-to-back assemblies when mounted between posts.



Themed Range

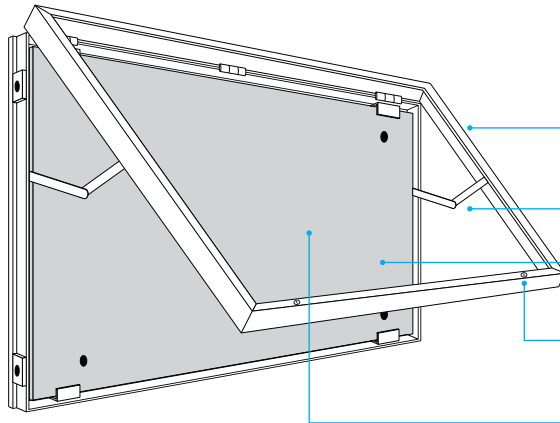
A new range comprising smaller format display cases mounted on backing plates profile cut in the shape of distinctive silhouettes. There are 2 themes - Menu and Leisure / School - and 12 designs in all that make for eye-catching features of notice boards that might otherwise go unnoticed. These cases are equally suited to interior and exterior applications.



TRADITIONAL DISPLAY CASES

Features & operation

Furnitubes' range of traditional display cases are manufactured in a combination of custom-designed extruded aluminium sections and an internal steel backing plate for display mounting and strengthening purposes. Glazing is 4mm Polyflexx polycarbonate as standard, with safety glass offered as an alternative for areas that are considered less prone to vandalism. Cases can be either wall-mounted or fitted to any of our 5 traditional column designs, with both installation types having the option of a cast aluminium header board to include site-specific graphics. If using the case for a single sheet display graphic, it is advisable to avoid placing critical graphical information within a 5mm margin zone of the specified visible area.



Display case construction

Extruded aluminium section frame to body and door of display case, with door hinged from top edge

Stays support the door while display material in the case is changed

Steel backboard in white lacquer finish for mounting display onto with magnetic strips or discs

Safety lock with tamper-proof fixing (supplied with 2 keys) ensures the door remains firmly closed

Glazing is fitted into the aluminium extrusion with a weather seal to prevent water ingress, and is available in a choice of either:

- 4mm Polyflexx (polycarbonate)
- or
- 4mm security glass



TRADITIONAL DISPLAY CASES



- Case:** FDC 1360
1200 x 1260mm display area
- Columns:** Kingston
- Finial:** Lancer FFL 2
- Header:** Cast aluminium with raised relief lettering
- Use:** Permanent single sheet printed town map
- Location:** Monmouth, Wales



- Case:** FDC 1760 double-sided
1200 x 1680mm display area
- Columns:** Westminster
- Finial:** Lancer FFL 4
- Header:** Cast aluminium with raised relief lettering & logo
- Use:** Notice board
- Location:** Epsom, Surrey



- Case:** FDC 1360
1200 x 1260mm display area
- Columns:** Guildford
- Finial:** Specials
- Header:** Cast aluminium with raised relief lettering
- Use:** Notice board
- Location:** Kippax, West Yorkshire

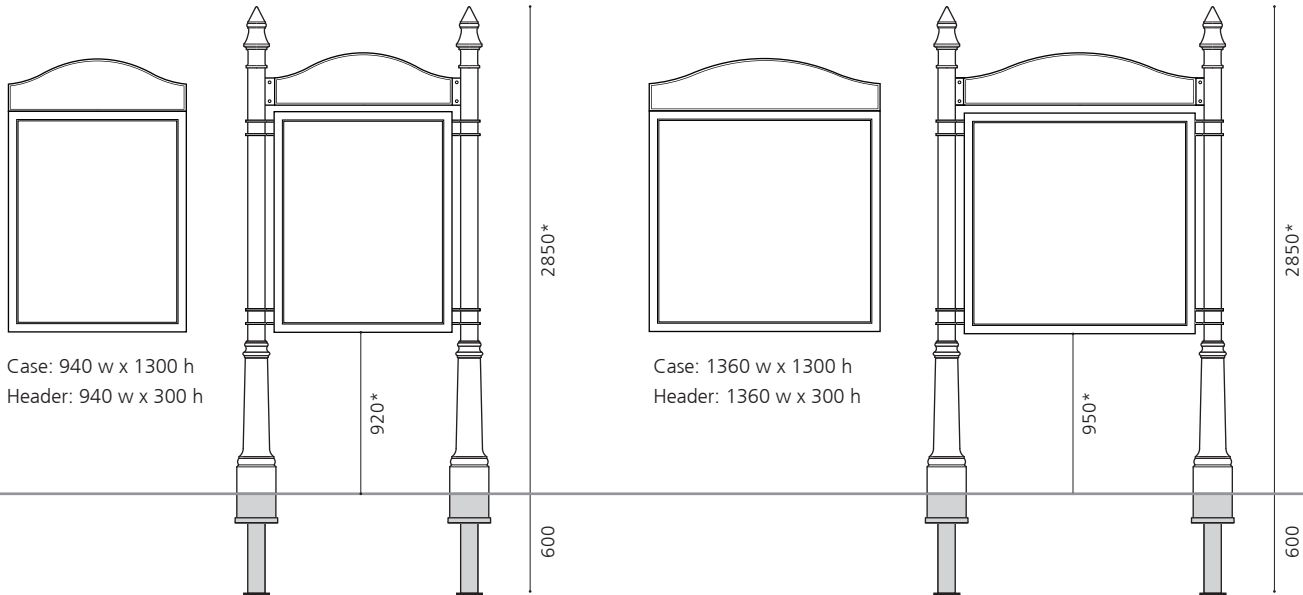
TRADITIONAL DISPLAY CASES

Materials / finishes:

Display case: Extruded aluminium frame powder coated in selected colours (see next page), steel backboard in white lacquered finish, polycarbonate glazing

Columns: Mild steel post hot dip galvanised with cast iron base, all painted finish to any RAL colour

Header board: Cast aluminium, painted finish to any RAL colour with graphics highlighted



* Dimensions vary with other column & finial types

DISPLAY CASE - 1200 x 840mm DISPLAY AREA

FDC 940 WHB

Display case & header board for wall-mounting

OPTION:

- Without header board

FDC 940 CHB

Single-sided display case & header board c/w Kingston columns & Lancer Finial 1

OPTIONS:

- Double-sided display case
- Double-sided header board
- Without header board
- Alternative column type
- Alternative finial type

DISPLAY CASE - 1200 x 1260 mm DISPLAY AREA

FDC 1360 WHB

Display case & header board for wall-mounting

OPTION:

- Without header board

FDC 1360 CHB







Single-sided display case & header board c/w Kingston columns & Lancer Finial 1

OPTIONS:

- Double-sided display case
- Double-sided header board
- Without header board
- Alternative column type
- Alternative finial type

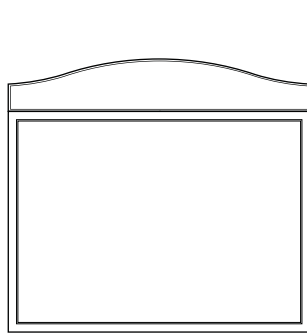
TRADITIONAL DISPLAY CASES

Display case polyester powder coating colour options:

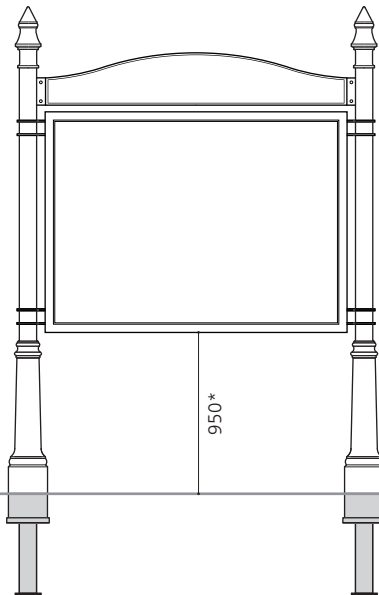
- | | |
|---|---|
|  RAL 9006 - White aluminium |  RAL 6005 - Moss green |
|  RAL 9005 - Jet black |  RAL 3004 - Traffic red |
|  RAL 5010 - Gentian blue |  RAL 8017 - Chocolate brown |

FINIALS

For full range of options refer to
Traditional Directional Signage
section of e-brochure



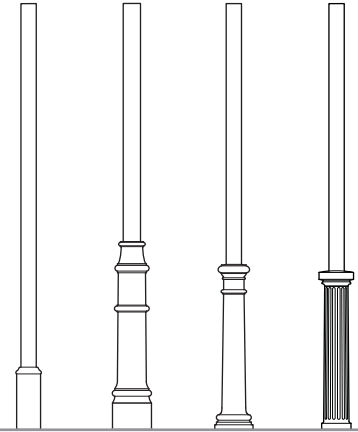
Case: 1780 w x 1300 h
Header: 1780 w x 300 h



2850*

950*

600



GUILDFORD

WESTMINSTER

MANCHESTER

DORIC

* Dimensions vary with other column & finial types

DISPLAY CASE - 1200 x 1680 mm DISPLAY AREA

FDC 1780 WHB

Display case & header board for wall-mounting

OPTION:

- Without header board

FDC 1780 CHB

Single-sided display case & header board
c/w Kingston columns & Lancer Finial 1

OPTIONS:

- Double-sided display case
- Double-sided header board
- Without header board
- Alternative column type
- Alternative finial type

ALTERNATIVE COLUMN OPTIONS

FCGU 216 G

Guildford column

FCWE 212 G

Westminster column

FCMA 218 G

Manchester column

FCDO 219 G

Doric column

ECONOMY DISPLAY CASES

A comprehensive range of styles, sizes & installation options

As its name suggests, the Economy range of display cases offers straightforward functional products at competitive prices. There are two basic styles of case (squared and rounded corners) and many standard size options, all of which can be wall or post-mounted. Cases and posts can be supplied powder coated in any RAL reference colour or in a silver anodised finish.



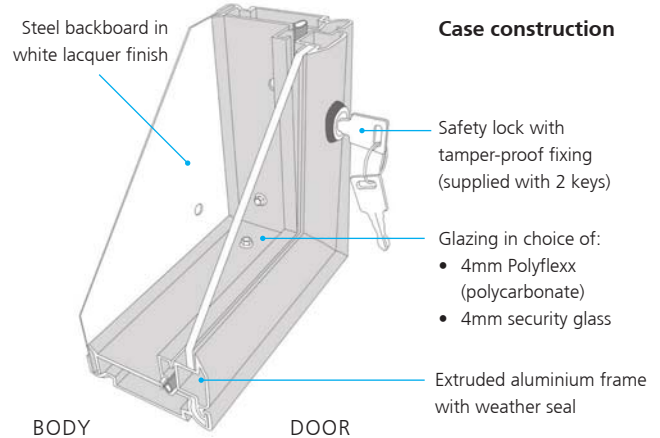
Squared corner

Case extrusions are mitre-cut on the corners and fixed together internally for a clean and sharp appearance.



Rounded corner

Case extrusions are square cut and fitted to a rounded corner piece, giving a visually softer overall appearance.



Operation & accessories

Display case doors are either top or side-hinged depending on size and orientation - refer to product specification table details. Top-hinged doors have gas struts to maintain the door in its open positioning while changing the display. The backboard is steel as standard, allowing posters to be fixed with magnets, which are available in packs of 12 in 3 different sizes.



Installation

All Economy range display cases can be wall or post-mounted and cases are pre-drilled in each corner for wall fixing as standard (fixings not supplied). The below-ground depth for post-mounted assemblies is 600mm. Please refer to the product specification table for post profile options. Post-mounting allows back-to-back cases to be attached to common posts.



ECONOMY DISPLAY CASES

PRODUCT CODE	External dims		Display area		Display area Poster sizes	Hinged from		Case depth options*			Post options*		
	H	W	H	W		Top	Side	75mm	58mm	30mm	Ø76 round	80 x 125 oval	60 x 40 rectangular
DISPLAY CASES WITH SQUARED CORNERS (SINGLE DOORS)													
EDC 7510	750	1000	650	900	A1 Landscape	•		•	•		•	•	•
EDC 1013	1000	1350	900	1250	A0 Landscape	•		•	•		•	•	•
EDC 1016	1000	1600	900	1500	21 x A4 Landscape	•		•	•		•	•	•
EDC 1020	1000	2010	900	1910	27 x A4 Landscape	•		•	•		•	•	•
EDC 1075	1000	750	900	650	A1 Portrait		•	•	•		•	•	•
EDC 1375	1350	750	1250	650	12 x A4 Portrait		•	•	•		•	•	•
EDC 1310	1350	1000	1250	900	A0 Portrait		•	•	•		•	•	•
DISPLAY CASES WITH ROUNDED CORNERS (SINGLE DOORS)													
EDC 1013 R	1000	1350	900	1250	A0 Landscape	•		•			•	•	
EDC 1016 R	1000	1600	900	1500	21 x A4 Landscape	•		•			•	•	
EDC 1020 R	1000	2010	900	1910	27 x A4 Landscape	•		•			•	•	
EDC 1317 R	1350	1710	1250	1610	28 x A4 Landscape	•		•			•	•	
EDC 1713 R	1710	1350	1610	1250	28 x A4 Landscape	•		•			•	•	
EDC 1812 R	1830	1280	1730	1180	36 x A4 Landscape	•		•			•	•	
EDC 1075 R	1000	750	900	650	A1 Portrait		•	•			•	•	
EDC 1375 R	1350	750	1250	650	12 x A4 Portrait		•	•			•	•	
EDC 1310 R	1350	1000	1250	900	A0 Portrait		•	•			•	•	
DISPLAY CASES WITH SQUARED CORNERS (SINGLE DISPLAY BOARD WITH TWO DOORS)													
EDC 7512 DUAL	750	1200	650	1100	8 x A4 Landscape		•	•		•	•	•	•
EDC 1018 DUAL	1050	1800	950	1700	16 x A4 Landscape		•	•			•	•	•
EDC 1023 DUAL	1050	2300	950	2200	30 x A4 Landscape		•	•			•	•	•

Notes

Finish options:

Case frames & posts can be polyester powder coated to any RAL colour reference or supplied in a silver anodised finish.

Glazing options*:

4mm Polyflexx polycarbonate or 4mm security glass.

Case depths / post types:

75mm cases are suitable for Ø76 or 80 x 125 oval posts only. 58mm & 30mm cases have 60 x 40 rectangular posts only.

Illumination:

All cases can be supplied with internal LED light fittings. The cable exit route is not provided in order that the installer can determine the most suitable position.