

FORTIS RANGE



Modular concrete & timber seating

Fortis is a new seating product designed to offer an adaptable range of configuration options from a limited number of standard components. The concrete plinth is the central component of the range, onto which timber-slatted seat and bench platforms can be mounted. The concrete plinth is also useable as a seating platform on its own. Fixing points are pre-fitted to all concrete plinths, regardless of whether or not they are all needed in the initial assembly, thereby allowing seat platforms to be easily repositioned or replaced at a later date. Fortis is ideal for long continuous seating 'walls', where the concrete plinths allow informal (slightly lower level) seating and the timber seating platforms offer greater comfort. Bench platforms (without backrests) allow access from both sides and seat platforms can be fixed with the backrest to either side, to allow dual orientation on a single seat.

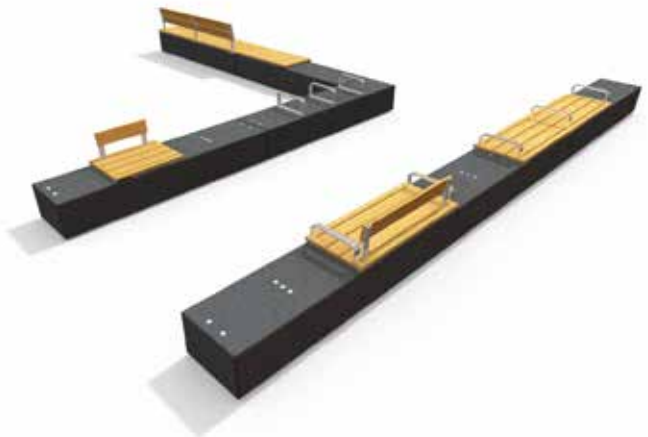
Set out in variable configurations on the same scheme, the Fortis gives the impression of a purpose-made design, but is all achievable with a small number of common components which offer cost-effective seating solutions.

Combinations + configurations

This illustration shows an example of the many layout options achievable with the Fortis range.

The main features of the Fortis range are:

- Concrete plinth pre-fitted with fixing points to accommodate bench and seat platforms for 1-4 people
- Available in a wide selection of concrete mixes and finishes
- Robust seat supports in galvanised or stainless steel
- A choice of timber profiles and layouts
- Optional armrests and backrests (available in 2 heights)



FORTIS RANGE

Standard options

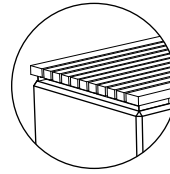
The standard Fortis range includes the following options:

- **Seats** (with backs) & **benches** (without backs)
- **Seat platforms** - to suit 1-4 person seating positions
- **Timber profiles** - 2 orientations & 3 size options
- **Armrests** - linked to seat platform or independent
- **Backrests** - high or low
- **Multiple assemblies** - for continuous seating walls

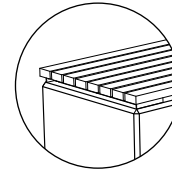
Continuous seating walls

For continuous seating walls comprising multiple seats / benches, adjacent concrete plinths can be directly abutted and seating platforms can be designed to bridge across adjoining concrete plinths. Plinths can be placed independently as a dry-fit joint, or the joint can be filled with a mastic or mortar sealant. Please contact our Design Department to discuss these options in more detail.

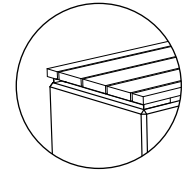
Side-to-side slat arrangements*



Small timbers
40mm wide

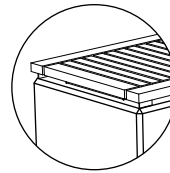


Medium timbers
65mm wide

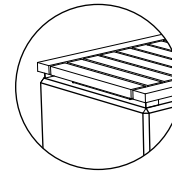


Large timbers
140mm wide

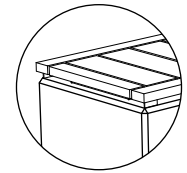
Front-to-back slats arrangements**



Small timbers
40mm wide



Medium timbers
65mm wide



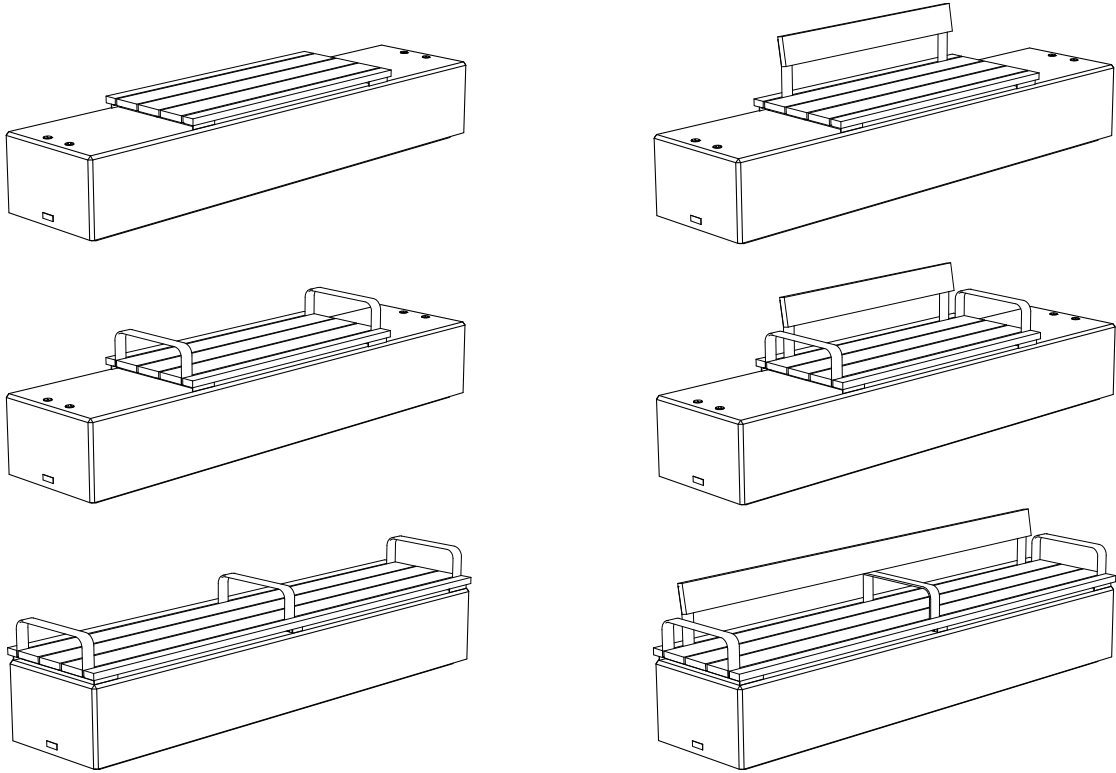
Large timbers
140mm wide

* All side-to-side layouts use a 65mm wide timber for front & back slats.

** All front-to-back layouts use a 65mm wide timber for front, back & end slats.



FORTIS RANGE



Selected bench and seat platform assemblies with large timbers in side-to-side arrangement

Further variations of timber sizes and orientation, platform lengths, arm and backrest positions and backrest heights are available - please complete the 'Fortis seating specifications' form to show your preferred configuration, and we will send you a sketch of your chosen assembly

FORTIS

Bench / seat with concrete plinth and timber seating platform on steel supports, with large timber slats in side-to-side arrangement
2540mm long x 590mm deep concrete plinth, weight: 1,400kg (concrete only)

BENCHES:

FTB22L - Bench with 2-person platform (no arms)

FTB22LC - Bench with 2-person platform + arms

FTB4LS - Bench with 4-person platform + arms

SEATS:

FTS22LL - Seat with 2-person platform (no arms)

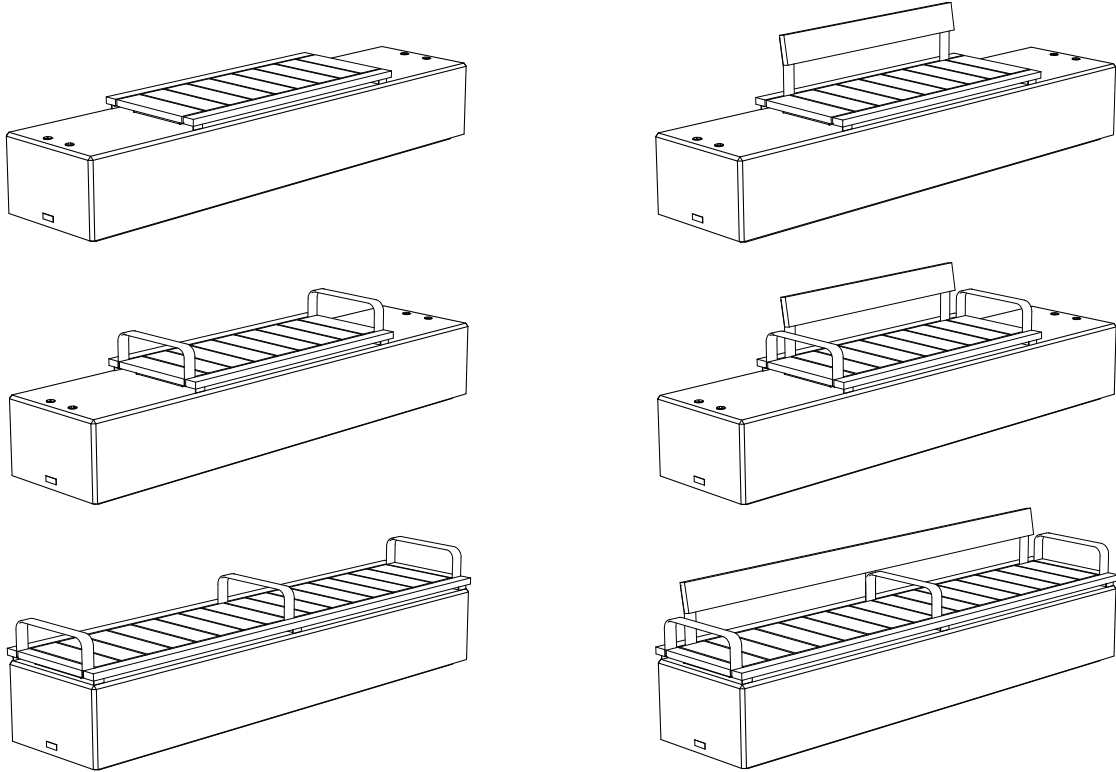
FTS22LLC - Seat with 2-person platform + arms

FTS4LLS - Seat with 4-person platform + arms

OPTIONS

- Range of standard concrete mixes and finishes
- Seat platform support / armrest / backrest support metalwork in galvanised finish where no arms included
- Seat platform support / armrest / backrest support metalwork in triple process coating (PPC) finish where arms are included

FORTIS RANGE



Selected bench and seat platform assemblies with large timbers in front-to-back arrangement

Further variations of timber sizes and orientation, platform lengths, arm and backrest positions and backrest heights are available - please complete the 'Fortis seating specifications' form to show your preferred configuration, and we will send you a sketch of your chosen assembly

FORTIS

Bench / seat with concrete plinth and timber seating platform on steel supports, with large timber slats in side-to-side arrangement
2540mm long x 590mm deep concrete plinth, weight: 1,400kg (concrete only)

BENCHES:

- FTB22H** - Bench with 2-person platform (no arms)
- FTB22HC** - Bench with 2-person platform + arms
- FTB4HS** - Bench with 4-person platform + arms

SEATS:

- FTS22HL** - Seat with 2-person platform (no arms)
- FTS22HLC** - Seat with 2-person platform + arms
- FTS4HLS** - Seat with 4-person platform + arms

OPTIONS

- Range of standard concrete mixes and finishes
- Seat platform support / armrest / backrest support metalwork in galvanised finish where no arms included
- Seat platform support / armrest / backrest support metalwork in triple process coating (PPC) finish where arms are included

FORTIS RANGE



Handling & installation

For ease of transportation and handling, and to minimise the chances of damage prior to installation, Fortis seating is supplied in component form for on-site assembly. The concrete plinth is lifted and lowered into position by using straps (not supplied) which can be tensioned against the recess to the underside of the bench. The plinth can be placed directly on top of the ground, or a recess can be formed in the paving into which the inset base is located. Seat and bench platforms are supplied pre-assembled and are fitted to the plinth with simple bolted connections accessed between the timbers. The timbers are fixed to the steel framework with discrete fixings, which can be removed if the timbers need to be replaced in future. Given their heavy weight, Fortis seats / benches are generally left free-standing.



FORTIS RANGE



FORTIS RANGE

