

REMOVABLE BOLLARDS

Removable bollards

Within a continuous line of fixed bollards there is often a requirement for a number of removable bollards to allow for occasional vehicular access. Most of our steel and stainless steel bollards are available as removable versions.

We offer two types of removable bollards - for use with **Standard** or **F1 Series** sockets - the features and operation of which should be considered in detail to determine which is the most suitable product for your application.

Standard sockets

- Simple economic solution using galvanised mild steel socket
- Ease of operation is convenient for situations where bollard needs to be removed quickly and / or frequently, such as emergency access routes
- Hasp fitted to bollard passes through slot in socket hinge plate for locking with an FB14 padlock (please order separately) or similar
- Hinged cover plate sits flush to finished ground level when closed but is not designed to be driven over - therefore most suited to short term removal situations
- Bollard, socket and padlock only - no further loose parts
- Loose fit of square bollard spigot locating in circular socket means bollard is not 100% rigid (but can't be removed if locked)



F1 series sockets

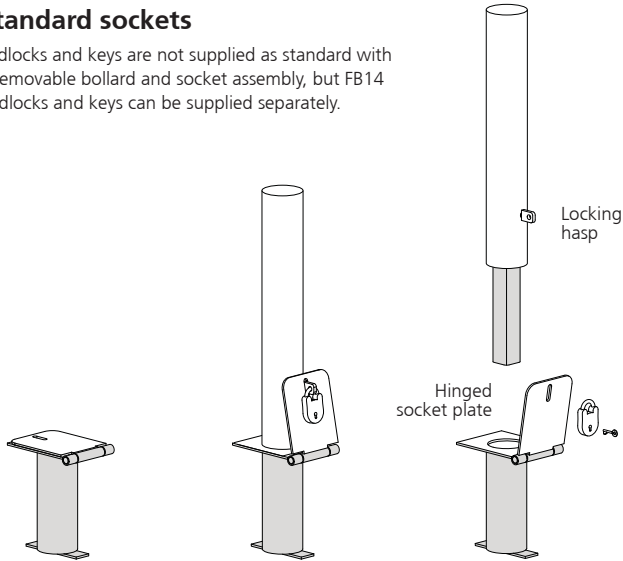
- Neat flush-fitting solution constructed in heavy duty cast iron, steel and hard-wearing plastics
- Takes longer (than standard socket) to insert / remove bollard, so may not be suitable for emergency vehicular routes or when bollard needs to be removed frequently
- Circular bollard (or welded on circular spigot for large diameter circular bollards and other shapes, such as square) locates in circular socket with locking bolts to fully rigidify the bollard
- Separate plug supplied for inserting into socket when bollard is removed
- Socket designed and tested to withstand vehicular over-run up to 12.5 tonnes point loading



REMOVABLE BOLLARDS

Standard sockets

Padlocks and keys are not supplied as standard with a removable bollard and socket assembly, but FB14 padlocks and keys can be supplied separately.



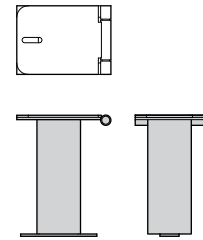
Closed socket

Secured bollard

Bollard removal

Operation

The base of the socket should be cleared of any build up of debris which could prevent the bollard spigot from being inserted to its full depth. Fold back the hinge plate and insert the bollard into the open socket in the orientation shown, rotate the plate over the locking hasp and secure with a padlock (please order separately). On removing the bollard, check there is no debris on the top face of the socket before lowering the hinge plate into the closed position. If installed correctly, the plate will be flush with the surrounding paving so as not to present a trip hazard. Socket hinges should be lubricated regularly to ensure continued smooth operation.

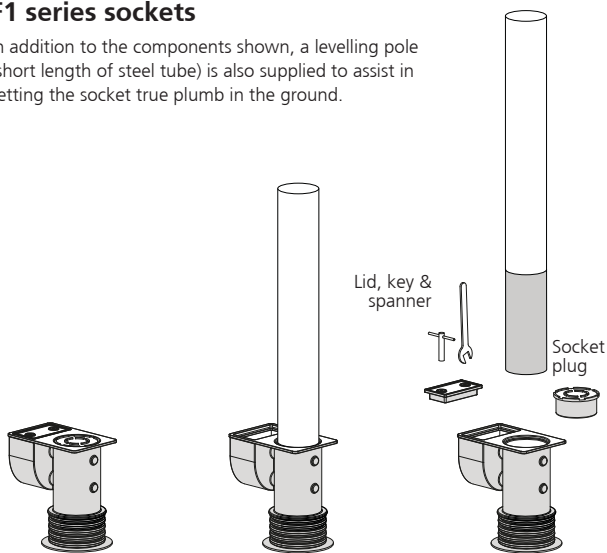


Dimensions

The plan dimensions of the socket hinge plate depend on the bollard type, size & shape at ground level - if these dimensions are important to you please contact us for details. For all sockets, the below ground socket root is typically 320mm deep.

F1 series sockets

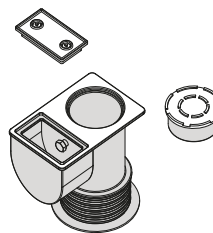
In addition to the components shown, a levelling pole (short length of steel tube) is also supplied to assist in setting the socket true plumb in the ground.



Closed socket

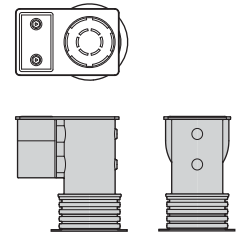
Secured bollard

Bollard removal



Operation

Insert the bollard / spigot into the open socket and tighten 2no. bolts in the locking chamber (spanner supplied) onto the sides of the root / spigot. Place and lock the lid on the locking chamber. When the bollard is removed insert the plug into the socket and secure with the same bolts. The socket should be flush with the ground if installed correctly.



Dimensions

The plan dimensions of the socket depend on the bollard type, size & shape at ground level - if these dimensions are important to you please contact us for details. For all sockets, the below ground socket root is typically 300mm deep.