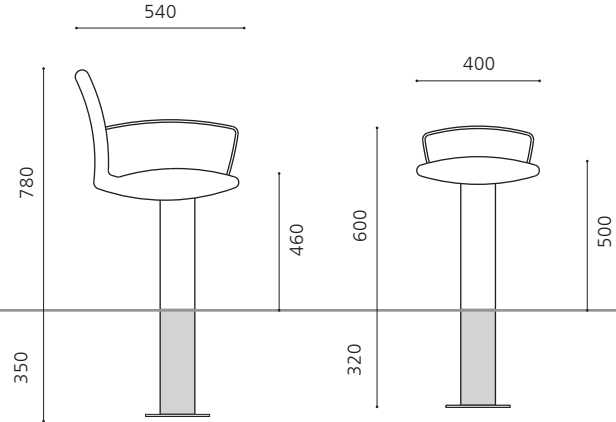


ZENITH® STRAIGHT SEATS & BENCHES

A longstanding Furnitubes' original design

The original Zenith range combines a single-piece all-welded tough steel framework with seat and backrests infilled in a choice of materials and finishes. Steelwork is hot dip galvanised as standard (with the option of a supplementary polyester powder coated or plastic coated finish) or alternatively can be supplied in stainless steel, in various grades and finishes. Zenith straight seats and benches are offered in many different configurations as standard, and other special variations can be readily supplied on request. Complementary curved seats and benches are also available for the timber slatted version.

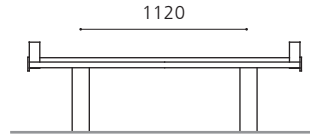


Zenith seating: summary of seat slat size, material & finish options

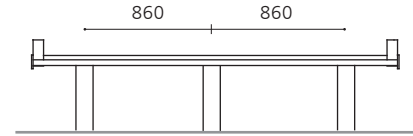
	Benches:			Seats:		
	1.83m Straight	2.43m Straight	Curved (all radii)	1.83m Straight	2.43m Straight	Curved (all radii)
Iroko hardwood, 65 x 32mm Smooth planed finish	●	●	●	●	●	●
	(4 slats)			(4 + 3 slats)		
Wood plastic composite (WPC), 65 x 32mm Dark iroko colour	●	●	-	●	●	-
	(4 slats)			(4 + 3 slats)		
Recycled plastic, 104 x 34mm Brown or black colours	●	●	-	●	●	-
	(3 slats)			(3 + 2 slats)		
Mild steel galvanised, 65 x 32mm PPC coated to any RAL reference Plastic coated in selected colours	●	●	-	●	●	-
	(4 slats)			(4 + 3 slats)		
Stainless steel G304 / G316, 65 x 32mm Satin or mirror polished	●	●	-	●	●	-
	(4 slats)			(4 + 3 slats)		
Stainless steel G304 / G316, Perforated sheet Satin or mirror polished	●	●	-	●	●	-



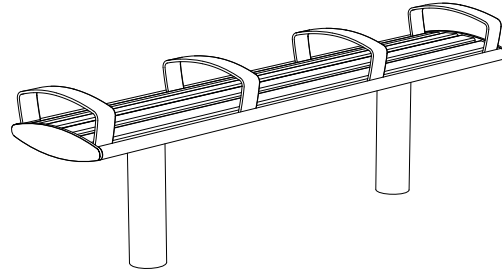
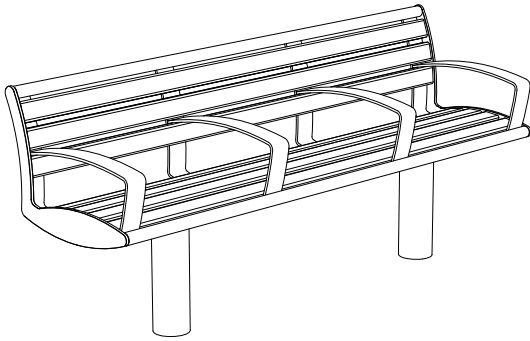
ZENITH® STRAIGHT SEATS & BENCHES



3 person / 1830mm long seats & benches have 2 support posts



4 person / 2430mm long seats & benches have 3 support posts



ZENITH: STRAIGHT SEATS & BENCHES

Standard assembly: steel frame and posts for in-ground fixing, hot dip galvanised, with iroko timber slats in smooth planed finish

SEAT - 3 person / 1830mm long

ZEN 6

Seat without arms

ZEN 6A

Seat + 2 end arms

ZEN 6C

Seat + 2 centre arms

ZEN 6AC

Seat + 2 end & 2 centre arms

BENCH - 3 person / 1830mm long

ZEN B6

Bench without arms

ZEN B6A

Bench + 2 end arms

ZEN B6C

Bench + 2 centre arms

ZEN B6AC

Bench + 2 end & 2 centre arms

SEAT - 4 person / 2430mm long

ZEN 8

Seat without arms

ZEN 8A

Seat + 2 end arms

ZEN 8C

Seat + 2 centre arms

ZEN 8M

Seat + 1 mid arm

ZEN 8AC

Seat + 2 end & 2 centre arms

ZEN 8AM

Seat + 2 end & 1 mid arms

ZEN 8CM

Seat + 2 centre & 1 mid arms

ZEN 8ACM

Seat + 2 end, 2 centre & 1 mid arms

BENCH - 4 person / 2430mm long

ZEN B8

Bench without arms

ZEN B8A

Bench + 2 end arms

ZEN B8C

Bench + 2 centre arms

ZEN B8M

Bench + 1 mid arm

ZEN B8AC

Bench + 2 end & 2 centre arms

ZEN B8AM

Bench + 2 end & 1 mid arms

ZEN B8CM

Bench + 2 centre & 1 mid arms

ZEN B8ACM

Bench + 2 end, 2 centre & 1 mid arms

OPTIONS (ALL SEATS & BENCHES):

- Other overall lengths, including 1 or 2 person seats / benches
- Alternative armrest configurations
- Base plated posts for bolt-down installation
- Anti-skate devices on front bar (+ rear bar for benches)
- Framework & posts in polyester powder coated finish
- Framework & posts in plastic coated finish
- Framework & posts in stainless steel, various grades & finishes
- Alternative slat materials, including wood plastic composite (WPC)
- Timbers with UV protective finish

ZENITH® STRAIGHT SEATS & BENCHES



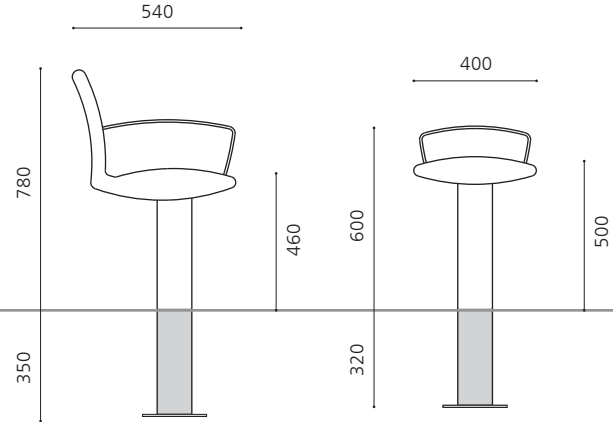
ZENITH® STRAIGHT SEATS & BENCHES



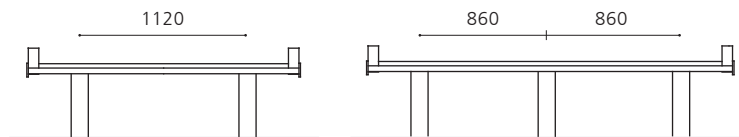
ZENITH® PERFORATED STAINLESS STEEL SEATS & BENCHES

Modern materials and contemporary styling

This perforated all-stainless range is based on the framework of the original timber-slatted Zenith seating design, but with the seat and backrests supplied in perforated sheet panels. Available in stainless steel only, but in a choice of grades and finishes, this striking design is a popular choice in high profile public realm schemes - it is a high specification, high quality product that is built to last. As with all Zenith ranges, perforated seats are available in two standard length options, with various combinations of armrest positions, and as in-ground or bolt-down units. Tough welded-on anti-skate devices can be added to the horizontal front rails of seats and both sides of benches. Other variations to the standard units can be readily supplied on request.

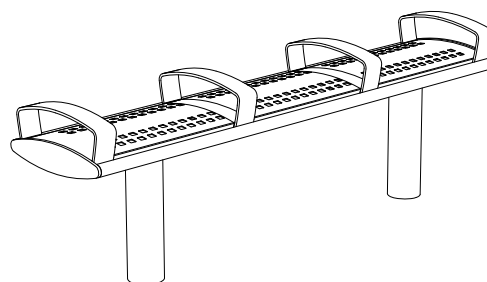
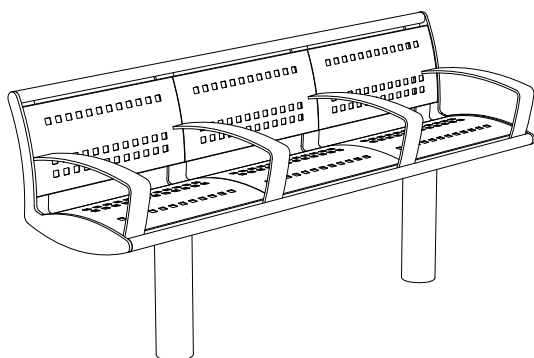


ZENITH® PERFORATED STAINLESS STEEL SEATS & BENCHES



3 person / 1830mm long seats & benches have 2 support posts

4 person / 2430mm long seats & benches have 3 support posts



ZENITH: PERFORATED STAINLESS STEEL STRAIGHT SEATS & BENCHES

Standard assembly: G304 stainless steel frame, seatings panels & posts for in-ground fixing, all in satin polished finish

SEAT - 3 person / 1830mm long

ZEN 6 S

Seat without arms

ZEN 6A S

Seat + 2 end arms

ZEN 6C S

Seat + 2 centre arms

ZEN 6AC S

Seat + 2 end & 2 centre arms

BENCH - 3 person / 1830mm long

ZEN B6 S

Bench without arms

ZEN B6A S

Bench + 2 end arms

ZEN B6C S

Bench + 2 centre arms

ZEN B6AC S

Bench + 2 end & 2 centre arms

SEAT - 4 person / 2430mm long

ZEN 8 S

Seat without arms

ZEN 8A S

Seat + 2 end arms

ZEN 8C S

Seat + 2 centre arms

ZEN 8M S

Seat + 1 mid arm

ZEN 8AC S

Seat + 2 end & 2 centre arms

ZEN 8AM S

Seat + 2 end & 1 mid arms

ZEN 8CM S

Seat + 2 centre & 1 mid arms

ZEN 8ACM S

Seat + 2 end, 2 centre & 1 mid arms

BENCH - 4 person / 2430mm long

ZEN B8 S

Bench without arms

ZEN B8A S

Bench + 2 end arms

ZEN B8C S

Bench + 2 centre arms

ZEN B8M S

Bench + 1 mid arm

ZEN B8AC S

Bench + 2 end & 2 centre arms

ZEN B8AM S

Bench + 2 end & 1 mid arms

ZEN B8CM S

Bench + 2 centre & 1 mid arms

ZEN B8ACM S

Bench + 2 end, 2 centre & 1 mid arms

OPTIONS (ALL SEATS & BENCHES):

- Other overall lengths, including 1 or 2 person seats / benches
- Alternative armrest configurations
- Base plated posts for bolt-down installation
- Anti-skate devices on front bar (+ rear bar for benches)
- G316 stainless steel
- Bright polished finish